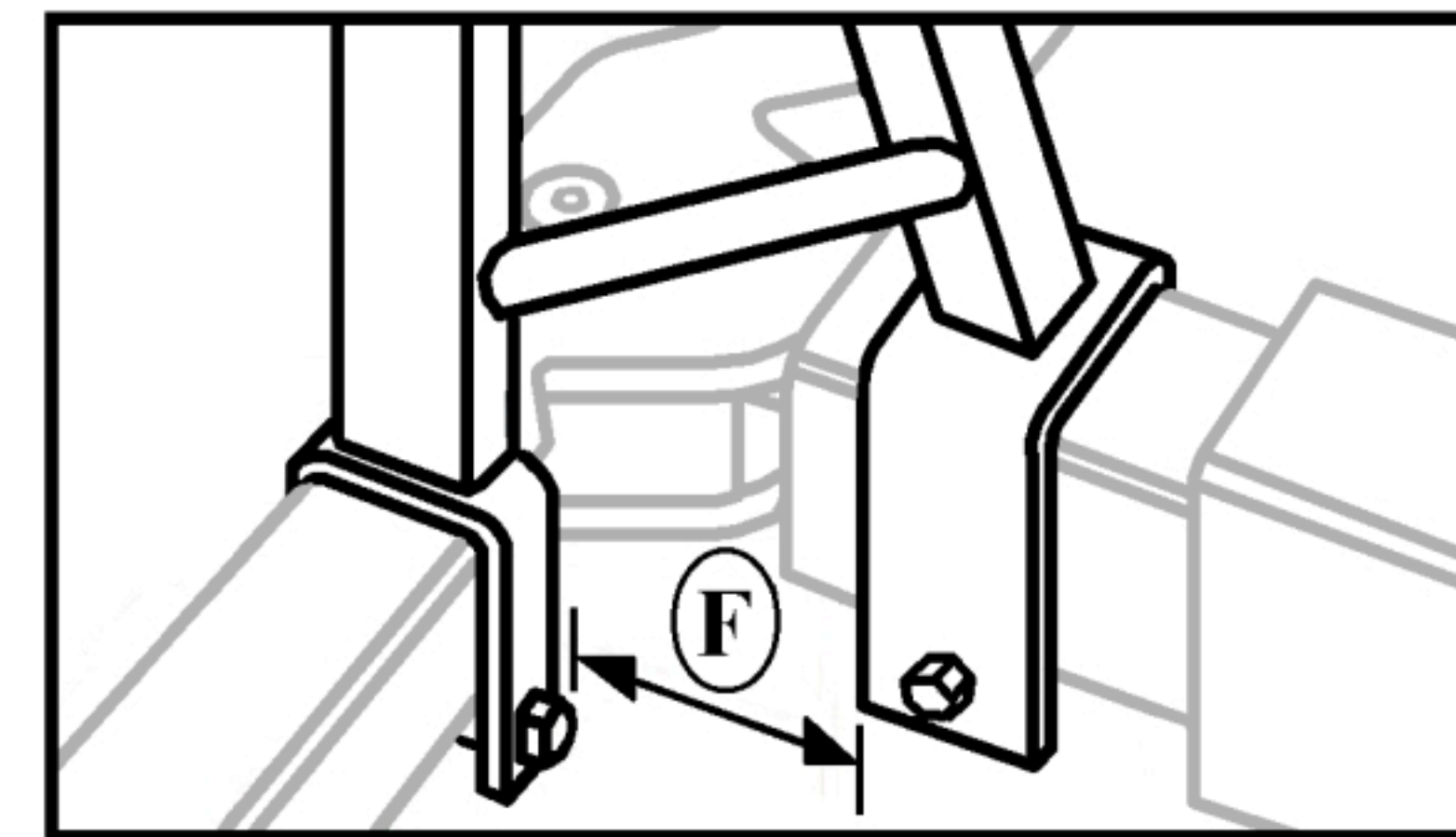
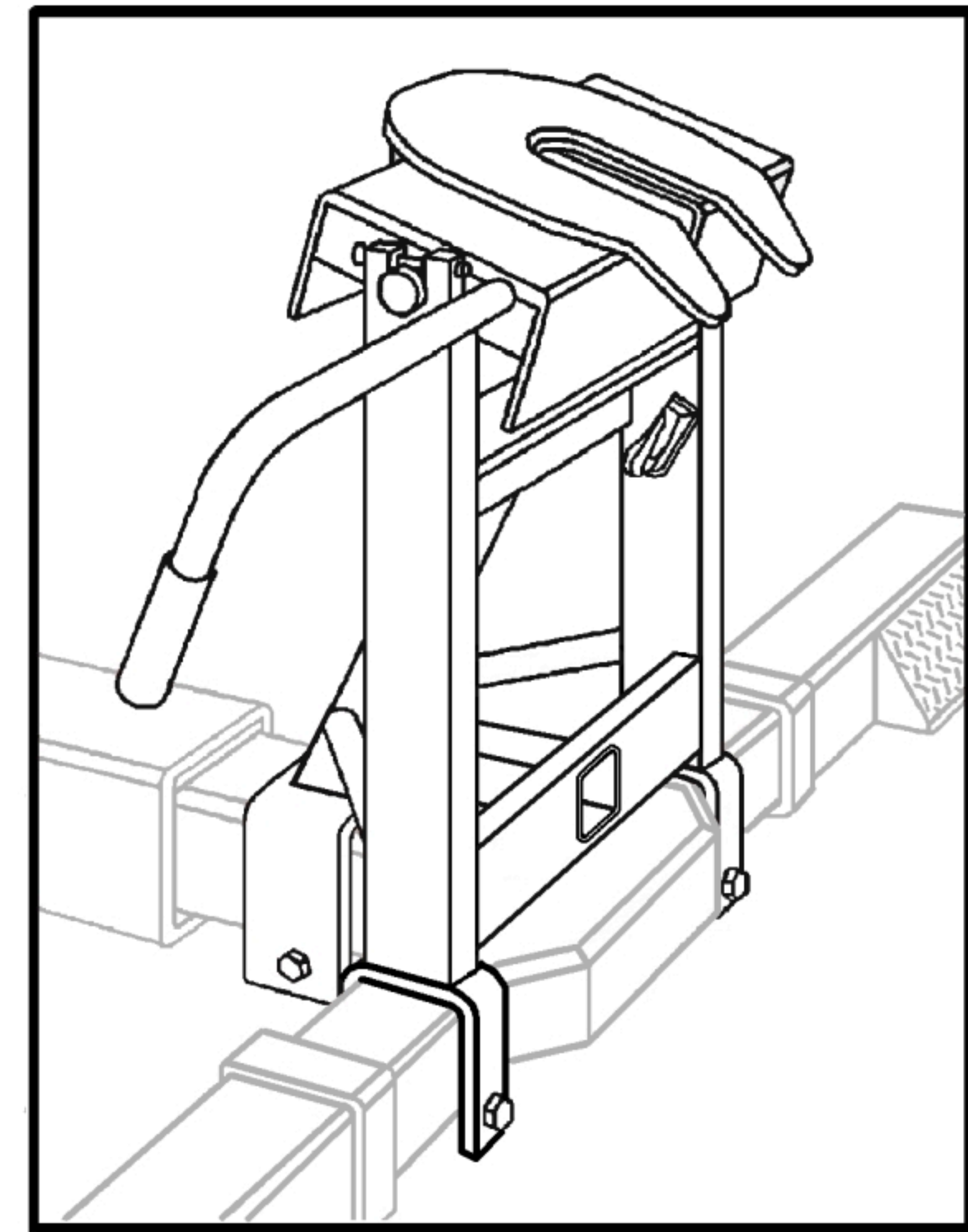
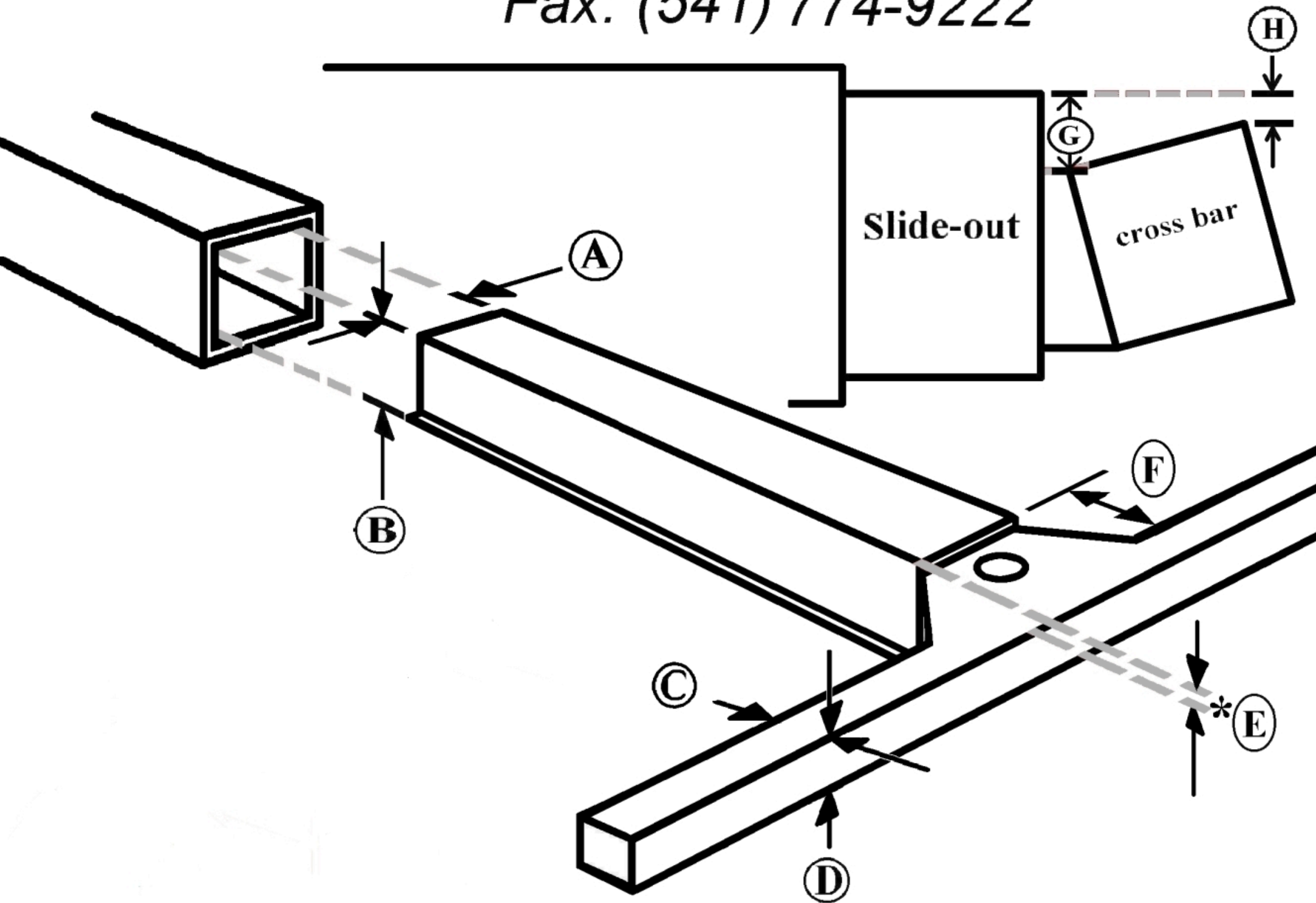


COLLINS

Wheel Lift Dimensions

Fax: (541) 774-9222



Date of Order _____
Make/Model _____
Reference # _____
Customer P.O. # _____
Quantity _____

A. _____ E. _____
B. _____ F. _____
C. _____ G. _____
D. _____ H. _____

* (height difference between top of slide-out and top of cross bar)