

# Collins

## Quick-Start Guide Carrier Dolly

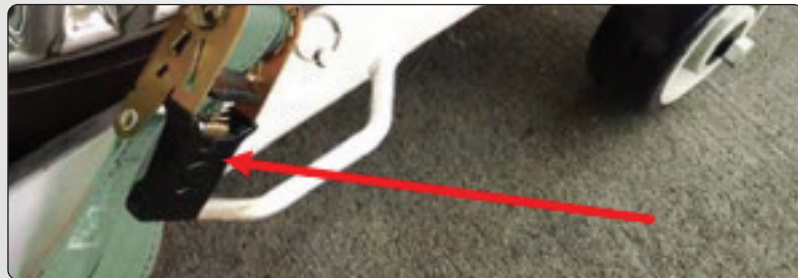
**STEP 1.** Adjust dolly length and place under vehicle's tires until snug before replacing locking pin.



**STEP 2.** With pry bar in axle pocket, rotate until dolly and vehicle lift off the ground. Repeat on all sides of carrier dolly.



**STEP 3.** Attach and tighten ratchet tie-down straps to dolly axles and vehicle tires.



**STEP 4.** Hook tow bar centered to front of both carrier dollies.



**NOTE:**

TOW BAR HOOKS SHOULD BE PLACED AS NEAR TO THE PERPENDICULAR DOLLY ARM AS POSSIBLE. FOR WIDER VEHICLES SWAP THE DRIVER AND PASSENGER SIDE DOLLIES.

PULL WITH THE NARROW TUBING AS THE LEAD  
(NARROW TUBING NEAREST TOW BAR)

**STEP 5.** Attach winch cable tow hook to front of tow bar without cable slack.

At this step it is recommended to always attach a secondary safety strap to connect the vehicle to the tow hook when winching for added safety.



**STEP 6.** If using a single set of dollies, vehicle will need to be in neutral for winching.



**STEP 7.** Place bed ramps in line with dollies against carrier bed and ready for winching.



**STEP 8.** Secure vehicle to bed as usual with vehicle still on dollies.



For full instructions including unloading, details, safety recommendations and motorcycle loading, please see Carrier Dolly manual [here](#).



When it matters,  
choose Collins.

Phone: (800) 332-9220 or (541) 774-9220  
[collinsdollies.com](http://collinsdollies.com)



# Collins

## Carrier Dolly Sets Specifications

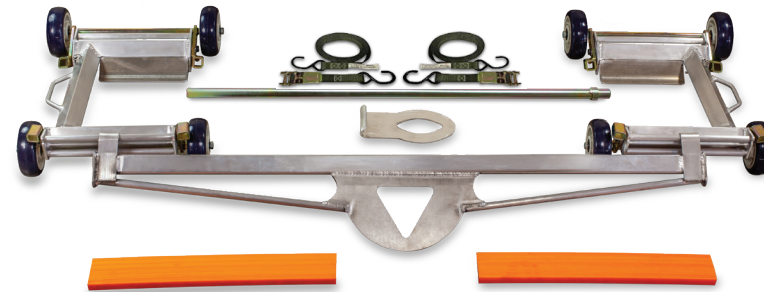
### Specs

- High-tensile strength aircraft-grade 6061-T6 aluminum
- 4,000 lb. capacity per dolly pair
- Dolly weight: 25 lbs each
- 64-inch aluminum tow bar
- 3+ inches of additional vehicle clearance
- 6-inch heavy-duty polyurethane wheels with maintenance-free dual-sealed precision bearings
- Maintenance-free self-lubricating pivot points
- 24" bed ramps

**NOTE:**  
FOR LOADING/LIFTING CARRIER DOLLIES WITH VEHICLE,  
USE THE PRY BAR END **WITHOUT** COLLAR STOP.  
FOR UNLOADING/LOWERING CARRIER DOLLIES, USE PRY BAR END  
**WITH** COLLAR STOP.

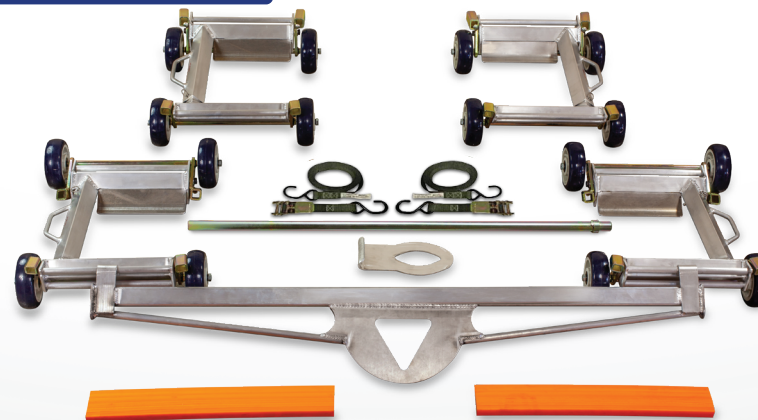
## Carrier Dolly Sets

### 2-Wheel Set



Carrier Dolly System  
CD-S

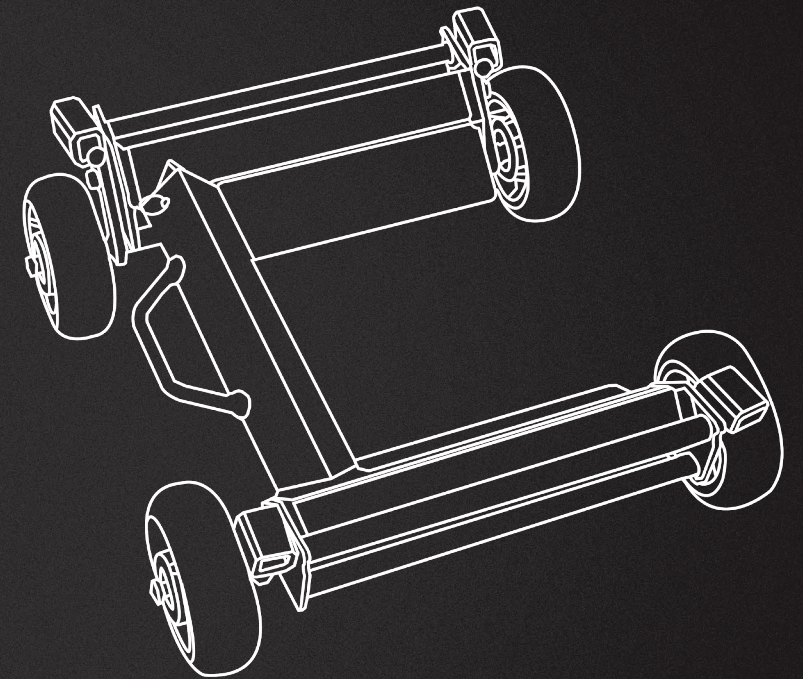
### 4-Wheel Set



Carrier Dolly Quad System  
CD-QS

# Collins

CARRIER DOLLY



## Quick-Start Guide