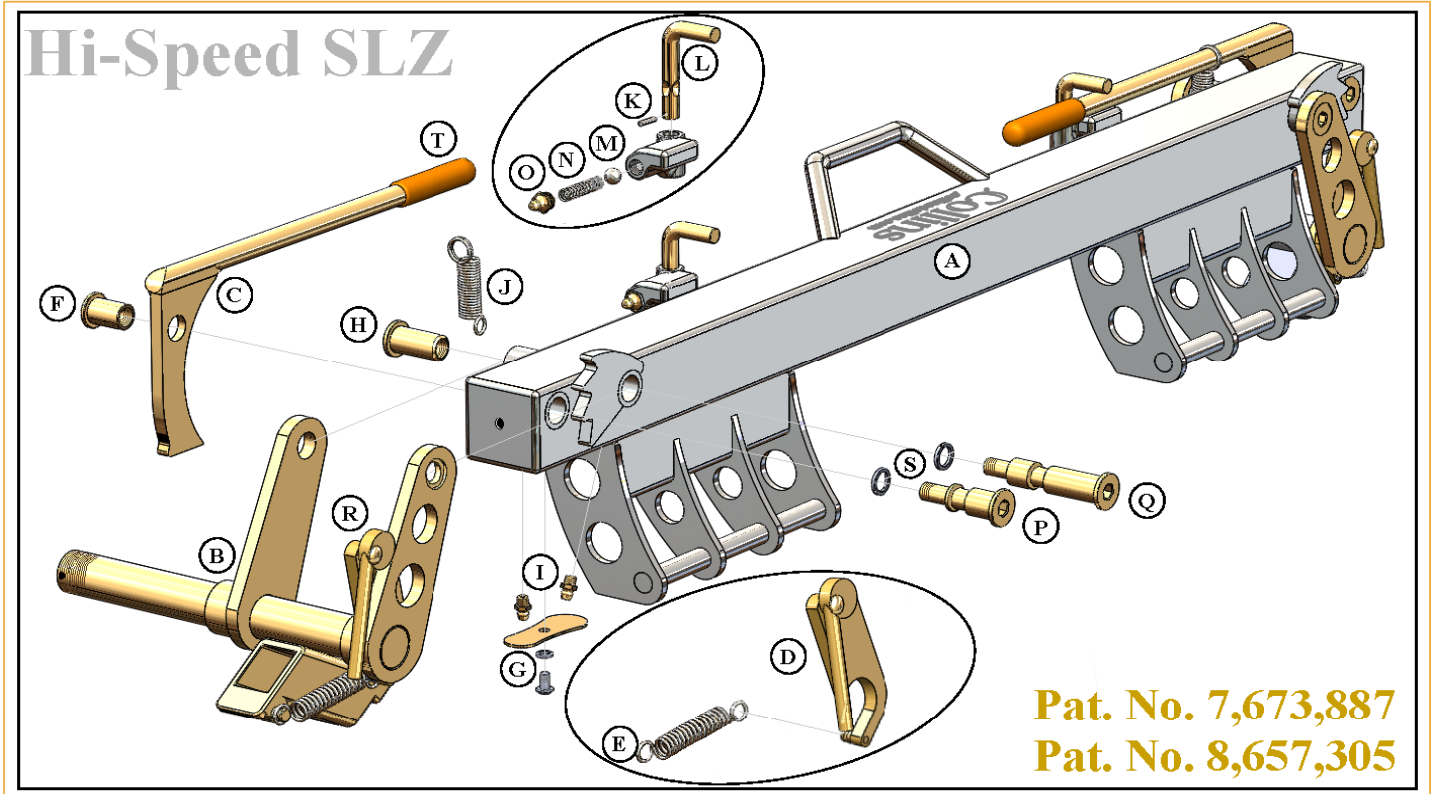




Collins
 Manufacturing Corp.
 301 Ehrman Way
 Medford, Oregon 97501



TOLL FREE (800) 332-9220
 OFFICE (541) 774-9220
 FAX (541) 774-9222
collinsmfgcorp.com



Pat. No. 7,673,887
Pat. No. 8,657,305

Hi-Speed®SLZ Dolly Frame Breakdown (Exploded View)

Item	Part No.	Model Dolly	Left & Right	Description
A	DFZ-SL			DOLLY FRAME Z-STYLE SELF-LOADING
B*	DFZ-SA/L		* Left	SPINDLE ASSEMBLY/LEFT
B*	DFZ-SA/R		* Right	SPINDLE ASSEMBLY/RIGHT
C*	DFZ-TA/L		* Left	TRIP ASSEMBLY/LEFT
C*	DFZ-TA/R		* Right	TRIP ASSEMBLY/RIGHT
D*	DFZ-RA/L			SAFETY RATCHET/LEFT (w/o SPRING)
D*	DFZ-RA/R			SAFETY RATCHET/RIGHT (w/o SPRING)
E	DF-RS			RATCHET SPRING
F	DFZ-TSN			TRIP SLEEVE NUT
G	DFZ-CPA			COVER PLATE ASSEMBLY
H	DFZ-SSN			SPINDLE SLEEVE NUT
I	DF-GZ			GREASE ZERK
J*	DFZ-TS/L		* Left	TRIP SPRING/LEFT
J*	DFZ-TS/R		* Right	TRIP SPRING/RIGHT
K	DF-SLP			SAFETY LOCK ROLL PIN
L	DF-SLH			SAFETY LOCK HANDLE
M	DF-SLB			SAFETY LOCK BALL BEARING
N	DF-SLS			SAFETY LOCK SPRING
O	DF-SLZ			SAFETY LOCK GREASE ZERK
P	DFZ-TSB			TRIP SHOULDER BOLT
Q	DFZ-SSB			SPINDLE SHOULDER BOLT
R*	DFZ-RA/L		* Left	RATCHET ASSEMBLY/ LEFT (w/SPRING)
R*	DFZ-RA/R		* Right	RATCHET ASSEMBLY/RIGHT (w/SPRING)
S	DFZ-SBW			SHOULDER BOLT LOCK WASHER
T	DFZ-GRP			TRIP HANDLE GRIP (ORANGE)
*	Left and Right Dolly Parts			