

Collins

2025 Product Catalog



Hi-Speed® Dollies · Carrier Dollies · Towing Necessities

Just like you, we know what it means to do what others can't and go where others won't.

We've gone by many names—Collins Manufacturing, Collins Dollies, Collins. The name Collins, comes from my grandfather, who started the business over 50 years ago. Collins and his brother built heavy equipment to help transport large logs over long distances and rough terrain from the forests to the mills. His experience as both a driver and manufacturer paved the way for building a new product that would safely lift and carry vehicles long distances, at highway speeds, in any kind of weather and terrain, revolutionizing the towing industry with the Collins self-loading dolly (also known as the Hi-Speed® Dolly).

Due to this history, the Collins name means something to us. When you choose Collins Dollies to support your business and family, you're also supporting ours. In turn, we're committed to providing you with the very best: honest marketing and fair pricing, superior materials and thoughtful design, high performance and lasting durability, personal customer service, and an unmatched warranty. That is why, when it matters, Collins is the professional tower's choice.

As you'll see in this brand-new 2025 catalog, our product family extends beyond dollies to truck boxes, storage and organization, towing accessories, and more! Our Southern Oregon manufacturing facility strives to do our very best in all that we do and build the best products—it's in our name and in our DNA.

Welcome to the Collins family of towing equipment, and thank you for choosing Collins!

- Chris Usher, General Manager & Owner



Collins

TABLE OF CONTENTS

4-7**COLLINS CARRIER DOLLY SYSTEMS****8-25****COLLINS HI-SPEED® DOLLIES****10-13****G7 HI-SPEED® DOLLY SETS & COMPONENTS****14-15****G7X SUPER DOLLY****16-21****SLZ HI-SPEED® DOLLY SETS & COMPONENTS****22-25****CROSS RAIL AXLES & COMPONENTS****26-28****WHEEL ASSEMBLIES & TIRES****29-35****TRUCK STORAGE****29-32****DOLLY MOUNTS****33****DOLLY BUNKS****33****CHAIN BOX****34****STREAMLINER BOXES****35****TUNNEL BOXES****36-37****ACCESSORIES****36****SAFE T-CAN AND MOUNTS****37****TOW CRADLES****37****PUSH BUMPERS****38****PRODUCT WARRANTY & REGISTRATION FOR EXTENDED TWO YEAR WARRANTY**

CARRIER DOLLY



The Collins Carrier Dolly provides an easy-to-use, elegant solution for getting EVs, AWDs, Exotics, and low clearance vehicles onto a flat bed carrier.

Made with aircraft-grade aluminum, the Collins Carrier Dolly provides:

- » **MORE CLEARANCE:** Perfect for low-clearance or hookless vehicles.
- » **DAMAGE FREE:** No hooks, chains, or cables touching the vehicle.
- » **MORE WITH LESS:** Works well for EVs, AWDs, Hybrids, High-End, and Low-Clearance cars; all while doubling as a motorcycle dolly.

A set of Standard Carrier Dollies has a load capacity of 4,000 lbs and can accommodate tires up to 10" wide.

Wide Carrier Dollies are built for wider tires with a 14" wide tread flap and have a load capacity of 6,400 lbs per set of two dollies.



Check out the
Carrier Dolly
demonstration video
and see how to load
a motorcycle with
just one person!



CD-S

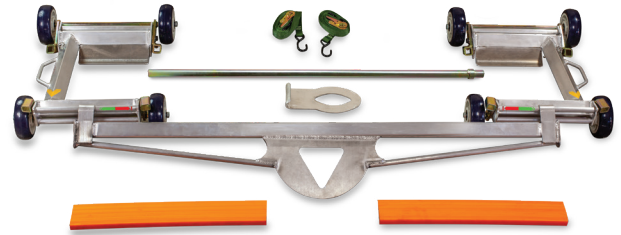
Carrier Dolly System includes:

- 1 pair - Standard Aluminum Carrier Dollies
- 1 pair - Tie Down Straps (4-pieces)
- 1 - Aluminum Tow Bar
- 1 pair - Bed Ramps
- 1 - Zinc-plated Steel Pry Bar
- 1 - Aluminum Motorcycle Hook Adaptor

Qty: set

Weight - 79 lbs

Load Capacity - 4,000 lbs; 2,000 lbs/dolly



CD-QS

Standard Carrier Dolly Quad System includes:

All of the above plus:

- 2nd pair - Standard Aluminum Carrier Dollies
- 2nd pair - Tie Down Straps (4-pieces)

Qty: set

Weight - 140 lbs

Load Capacity - 8,000 lbs; 2,000 lbs/dolly



CD-QX

Standard x Wide Carrier Dolly Quad System includes:

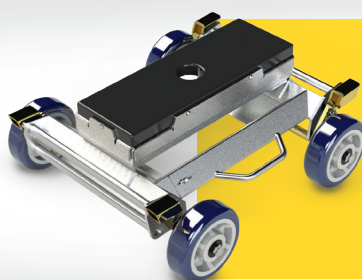
- 1 pair - Standard Aluminum Carrier Dollies
(for use with the front wheels)
- 1 pair - Wide Aluminum Carrier Dollies
(for use with the back wheels)
- 2 pairs - Tie-Down Straps (8-pieces)
- 1 - Aluminum Tow Bar
- 1 pair - Bed Ramps
- 1 - Zinc-plated Steel Pry Bar
- 1 - Aluminum Motorcycle Hook Adaptor

Qty: set

Weight - 140 lbs

Load Capacity - 10,400 lbs

Tire Width Capacity - 10" Standard & 14" Wide



**Check out the
Tow Cradle and
Ball Joint Cradle
on Page 37 that go
with the Carrier Dollies!**



CD-CDP

Carrier Dolly Second Pair includes:

1 pair - Standard Aluminum Carrier Dollies
(includes a set of CD-TDS Tie-Down Straps)

Qty: pair

Weight - 60 lbs

Load Capacity - 4,000 lbs; 2,000 lbs/dolly



CD-CD/L

CD-CD/R

1 Aluminum Carrier Dolly - Left or Right

Telescopic nine-hole, 2,000 lb capacity
(includes one CD-TDS Tie-Down Straps)

Qty: each

Dimensions - 7.25"H x 22"W x 21"L

Weight - 25 lbs

Load Capacity - 2,000 lbs

CD-WP

Carrier Dolly Wide Pair includes:

1 pair - Wide Aluminum Carrier Dollies
(for use with the back wheels)

2nd pair - Tie-Down Straps

Qty: pair

Dimensions - 23.5"H x 24"W x 6.5"L

Weight - 60 lbs

Load Capacity - 6,400 lbs; 3,200 lbs/dolly



CD-W/S

1 Wide Aluminum Carrier Dolly - Single Side (universal Right or Left)

Telescopic nine-hole, 3,200 lbs capacity
(includes one CD-TDS Tie-Down Straps)

Qty: each

Dimensions - 6.5"H x 24"W x 23.25"L

Weight - 20 lbs

CD-MS

Carrier Dolly Motorcycle Set includes:

1 - Standard Aluminum Carrier Dolly

1 pair - Tie-Down Straps

1 - Aluminum Tow Bar

1 - Bed Ramp

1 - Zinc-plated Steel Pry Bar

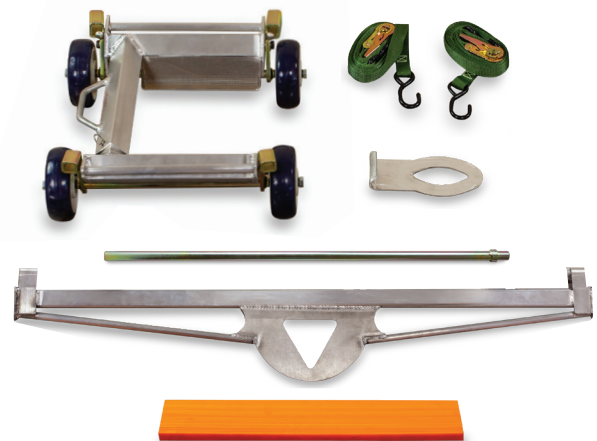
1 - Aluminum Motorcycle Hook Adaptor

Qty: set

Dimensions - 6.5"H x 24"W x 23.25"L

Weight - 20 lbs

Load Capacity - 2,000 lbs



CD-PB

Zinc-plated Steel 36" **Pry Bar**

Qty: each
Weight - 2.5 lbs



CD-BR

1 pair - **Bed Ramps** - 24" each

Qty: pair
Weight - 4 lbs



CD-TDS

Tie-Down Strap
(1 Ratchet, 1 Hook Strap)

Qty: pair
Weight - 3.5 lbs



CD-A

1 **Axle Assembly**
for Standard
Carrier Dolly

Qty: each
Weight - 3 lbs



CD-MH

Aluminum **Motorcycle**
Tow **Hook Adaptor**

Qty: each
Weight - 1 lb



CD-TB

Aluminum **Tow Bar** - 64" wide
2,000 lb vertical lift capacity

Qty: each
Weight - 9 lbs



CD-AB

Axle Assembly Bolt

Qty: each
Weight - 2.3 oz



CD-WB

Wheel Bolt

Qty: each
Weight - 3.6 oz



CD-WHL6

6" replacement wheel for
Standard Aluminum
Carrier **Dolly Wheel**

Qty: pair
Weight - 2 lbs



CD-WHL5

5" replacement wheel for
Wide Aluminum
Carrier **Dolly Wheel**

Qty: pair
Weight - 1.5 lbs





Collins
Hi-Speed® Dolly



G The World's Most Advanced® Dolly



GX Heavy Duty Dolly for Extreme Conditions and Uses



Hi-Speed® SLZ The World's Most Popular Dolly



The Hardest Working Dolly
When Price and Performance Matter

Get the greatest performing and Most Advanced® dolly, without overpaying.

Freeway Approved
The ONLY Freeway Dolly
When Distance Matters

Collins Hi-Speed® Dollies are the ONLY APPROVED dollies for highway, freeway, and interstate roads. The Collins SLZ and G7 dollies are both rated for a max 65 mph while the G7X is rated for 75 mph. Only Collins Dollies are approved for unlimited distances. Other dollies explicitly state they are NOT approved for freeway use, speeds, nor distances.

The Highest Capacity Dolly
When Capacity Matters

5.00E Capacity:	Collins 5,000 lbs	Others: None
5.70D Capacity:	Collins 4,280 lbs	Others: 4,000 lbs
4.80D Capacity:	Collins 3,968 lbs	Others: 3,040 lbs

The Safest Dolly
When Professionalism Matters

Collins' backup Safety Ratchet System (SRS), allows you to safely and comfortably raise heavier vehicles, operate in all types of weather, lift against walls, and has prevented countless accidents while raising and towing vehicles. Although highly recommended, they are secondary to raising the vehicle.

The Most User Friendly Dolly
When Versatility Matters

All Collins Cross Rail pairs work with all Collins dollies. Tires and wheels are interchangeable, so any size tire works with any dolly model. Collins Dollies are built for easy maintenance and repair; and are backed by the industry's best warranty and customer service. That means less downtime—and more time on the road.




Collins Hi-Speed® Dolly
The Widest Dolly
When Size Matters

Collins' T10 Cross Rails provide 90" of usable span. The T12 Cross Rails extend even wider, providing 104" of usable span, accommodating utility trailers, extra wide vehicles, boat trailers, and dually trucks. Only Collins provides patented double True Positive Camber, designed to keep loads safe and dolly wheels vertical, resulting in extended tire life.

The Lightest Dolly
When Health Matters

The scales don't lie. Collins offers the lightest-weight dollies in the industry, helping make the job easier, safer, and faster for operators.

COLLINS HI-SPEED® DOLLY OPTIONS AND COMPARISON

DOLLY		DESCRIPTION
	The World's Most Advanced® Dolly	<p>The Collins G7 Dolly was released in 2022 as our 7th generation dolly. It includes 40 upgrades, improvements, and changes including:</p> <ul style="list-style-type: none"> » Industrial grade, self-lubricating, composite bushings leading to lower maintenance and greater longevity » CNC-machined solid steel shoulder bolts with mated ends that prevent separation or loosening » CNC machined spindles made from high-strength steel that provide increased resistance to misalignments » Updated handle offers a significantly better grip and enhanced carrying comfort
	Heavy Duty Dolly for Extreme Conditions and Uses	<p>The G7X is built for extreme weather, off-road, and heavy duty use. It comes with:</p> <ul style="list-style-type: none"> » Thicker, more durable steel construction built to withstand more abuse and deliver a longer lifespan » Steel hubs and higher capacity steel wheels » Extra-wide T12 Hybrid Cross Rails made with aluminum outer components and steel center-cambered components » Ultra heavy duty 5.00-8 Load Range E tires with high-traction aggressive tread, increased longevity, an impressive 5,000 lb load capacity, and a 75 mph speed rating
	The World's Most Popular Dolly	<p>The SLZ is Collins' tried-and-true, sixth generation dolly that's been around since 2016. If you are looking for a fully capable dolly at the most economical price in the market, the SLZ is the obvious choice.</p>

Dolly	Name	Cross Rails	Wheels	Capacity	Speed Rating	Weight	Page
HSD-G7-H5D	G7 H5D	T12	5.70x8 D Rated	4,280 lbs	65 MPH	175 lbs (set)	10
HSD-G7-H4D	G7 H4D	T12	4.80x8 D Rated	3,968 lbs	65 MPH	163 lbs (set)	10
HSD-G7X	G7X	T12 Hybrid Rails with Steel Inserts	5.00x8 E Rated Aggressive Tread	5,000 lbs	75 MPH	228 lbs (set)	14
HSD-P5D	SLZ P5D	T10	5.70x8 D Rated	4,280 lbs	65 MPH	176 lbs (set)	16
HSD-P4D	SLZ P4D	T10	4.80x8 D Rated	3,968 lbs	65 MPH	160 lbs (set)	16
HSD-P4C	SLZ P4C	T10	4.80x8 C Rated	3,040 lbs	65 MPH	156 lbs (set)	16

*All dolly sets come with two complete Dolly Frames, two Telescoping Cross Rail axles, an aluminum Pry Bar, and two Tie-Down Straps.

Introducing the **G7 Hi-Speed[®] Dolly**

The Collins G7 Hi-Speed[®] Dolly is our seventh-generation design since 1972 and our best yet. The G7 is designed to make your work easier and faster, combining comfort, durability, and high performance.

Improved Spindle and Trip-Lock Assembly Bolts

This design allows the full assembly to rotate as one, thereby preventing bolts from backing out.

Minimal Maintenance

Fully enclosed, self-lubricating bushings eliminate the need for grease, minimizing maintenance time, and maximizing towing time.

Walk the Dolly

The redesigned pry pocket on the G7 spindle assembly allows the operator the option to "walk" the dolly in tight spaces, instead of carrying it, making it easier on the operator.

Safety Ratchet System

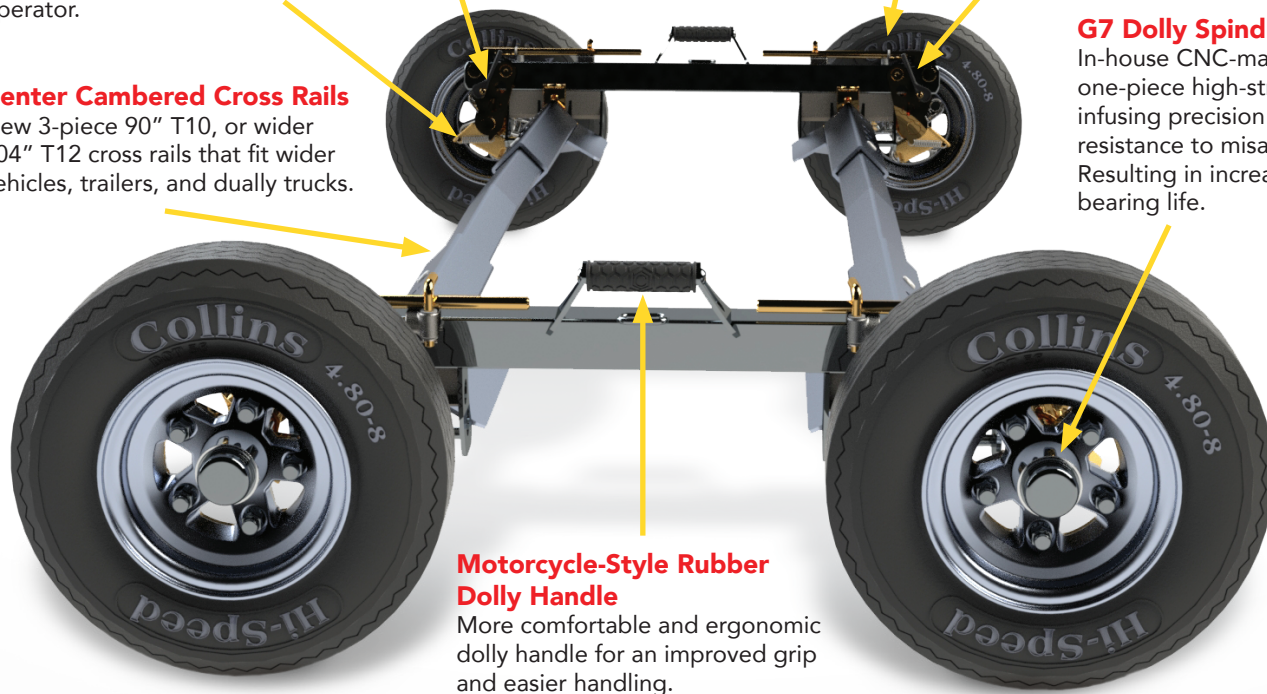
The ratchet cam is injection molded with carbon fiber filament to hold up better against the elements and keep parts moving easily.

Center Cambered Cross Rails

New 3-piece 90" T10, or wider 104" T12 cross rails that fit wider vehicles, trailers, and dually trucks.

G7 Dolly Spindles

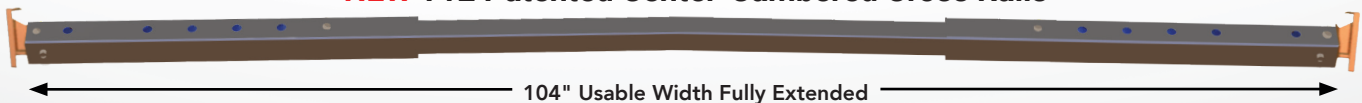
In-house CNC-machined from one-piece high-strength material, infusing precision and greater resistance to misalignment. Resulting in increased tire and bearing life.



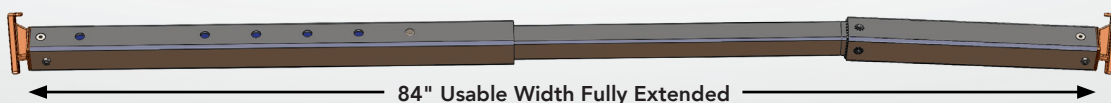
Motorcycle-Style Rubber Dolly Handle

More comfortable and ergonomic dolly handle for an improved grip and easier handling.

NEW T12 Patented Center-Cambered Cross Rails



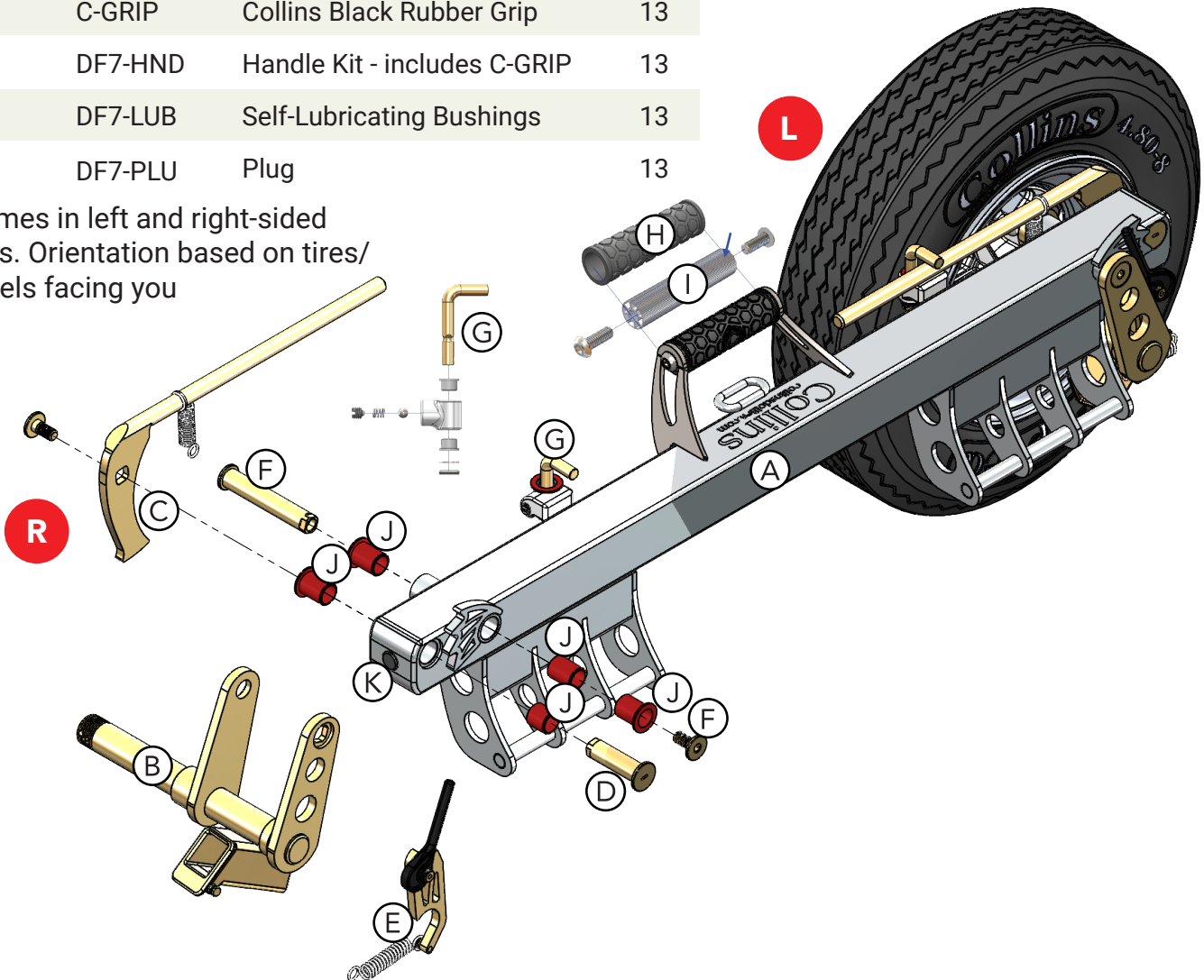
Previous T6 Cambered Cross Rails



G7 HI-SPEED® DOLLY PARTS

Item	Part#	Description	Page
A	DF7-SL	Dolly Frame Body Only, No Components	12
B*	DF7-SA/L	Spindle Assembly LEFT	12
B*	DF7-SA/R	Spindle Assembly RIGHT	12
C*	DF7-TA/L	Trip-Lock Assembly LEFT	13
C*	DF7-TA/R	Trip-Lock Assembly RIGHT	13
D	DF7-TSB	Trip Shoulder Bolt	12
E*	DF7-RA/L	Ratchet Assembly LEFT	13
E*	DF7-RA/R	Ratchet Assembly RIGHT	13
F	DF7-SSB	Spindle Shoulder Bolt	12
G	DF7-SLK	Safety Lock Kit	12
H	C-GRIP	Collins Black Rubber Grip	13
I	DF7-HND	Handle Kit - includes C-GRIP	13
J	DF7-LUB	Self-Lubricating Bushings	13
K	DF7-PLU	Plug	13

*Comes in left and right-sided parts. Orientation based on tires/wheels facing you



DF7-SLHA

Dolly Frame - G7
Self-Loading Frame
 w/ **Aluminum Hubs**
Qty: each
 Weight - 27.5 lbs



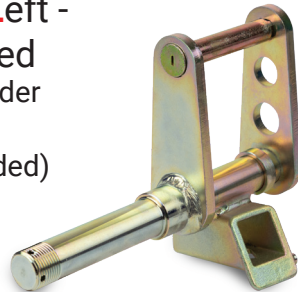
DF7-SL

Dolly Frame - G7
Self-Loading Frame (body only)
Qty: each
 Dimensions - 10"H x 5"W x 33.25"L
 Weight - 15 lbs



DF7-SA/L

Spindle Assembly/Left -
G7 Dollies Zinc Plated
 Includes Machined Shoulder
 Bolt Assembly
 (Safety Ratchet not included)
Qty: each
 Weight - 5 lbs 2 oz



DF7-SA/R

Spindle Assembly/Right -
G7 Dollies Zinc Plated
 Includes Machined Shoulder
 Bolt Assembly
 (Safety Ratchet not included)
Qty: each
 Weight - 5 lbs 2 oz



DF7-SSB

Spindle Shoulder Bolt Assembly -
G7 Dollies
 Includes long full length, square-facing
 sleeve nut and bolt assembly
 (Zinc Plated)
Qty: each
 Weight - 5.02 oz



DF7-TSB

Trip Shoulder Bolt Assembly -
G7 Dollies
 Includes short full length, square-facing
 sleeve nut and bolt assembly
 (Zinc Plated)
Qty: each
 Weight - 3.4 oz



DF7-RS

Ratchet Spring
G7, SLZ, X Dollies
 (Zinc Plated)
Qty: each
 Weight - 0.6 oz



DF7-SLK

Safety Lock Kit
Qty: set
 Weight - 2.1 oz



DF7-RA/L

Ratchet Assembly/Left - G7 Dollies

(New Style) 2006-Present
(Zinc Plated)

Qty: each

Weight - 4.9 oz



DF7-RA/R

Ratchet Assembly/Right - G7 Dollies

(New Style) 2006-Present
(Zinc Plated)

Qty: each

Weight - 4.9 oz



DF7-TA/L

Trip-Lock Assembly/Left - G7 Dollies

Includes: Shoulder Bolt, Sleeve Nut,
and Spring

Qty: each

Weight - 1.5 lbs



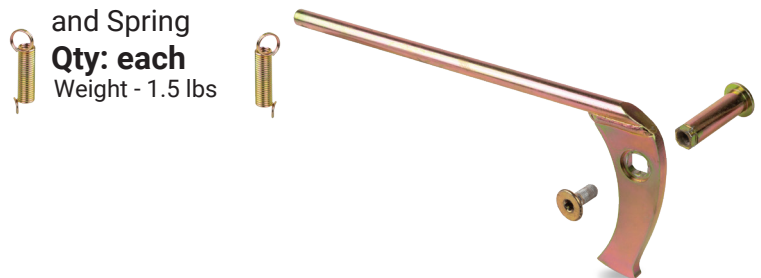
DF7-TA/R

Trip-Lock Assembly/Right - G7 Dollies

Includes: Shoulder Bolt, Sleeve Nut,
and Spring

Qty: each

Weight - 1.5 lbs



C-GRIP

Collins Black Rubber GRIP

Qty: each

Weight - 3.7 oz



DF7-HND

Handle Kit

Qty: each



DF7-LUB

Self Lubricating Bushing Kit

Qty: kit

Weight - 0.4 oz



DF7-PLU

Plug

Qty: each

Weight - 0.1 oz



Check collinsdollies.com for the latest product updates and news.



Introducing the **Super Dolly** HSD-G7X

Originally designed for Canada's harsh off-road winters, the Collins G7X Super Dolly is built for extreme conditions and heavy-duty use. While the Collins G7 is the ultimate in professional dolly towing, the G7X goes further with iron-packed heavy-duty superpowers for the roadside superhero, tackling the toughest conditions and wrecker jobs.

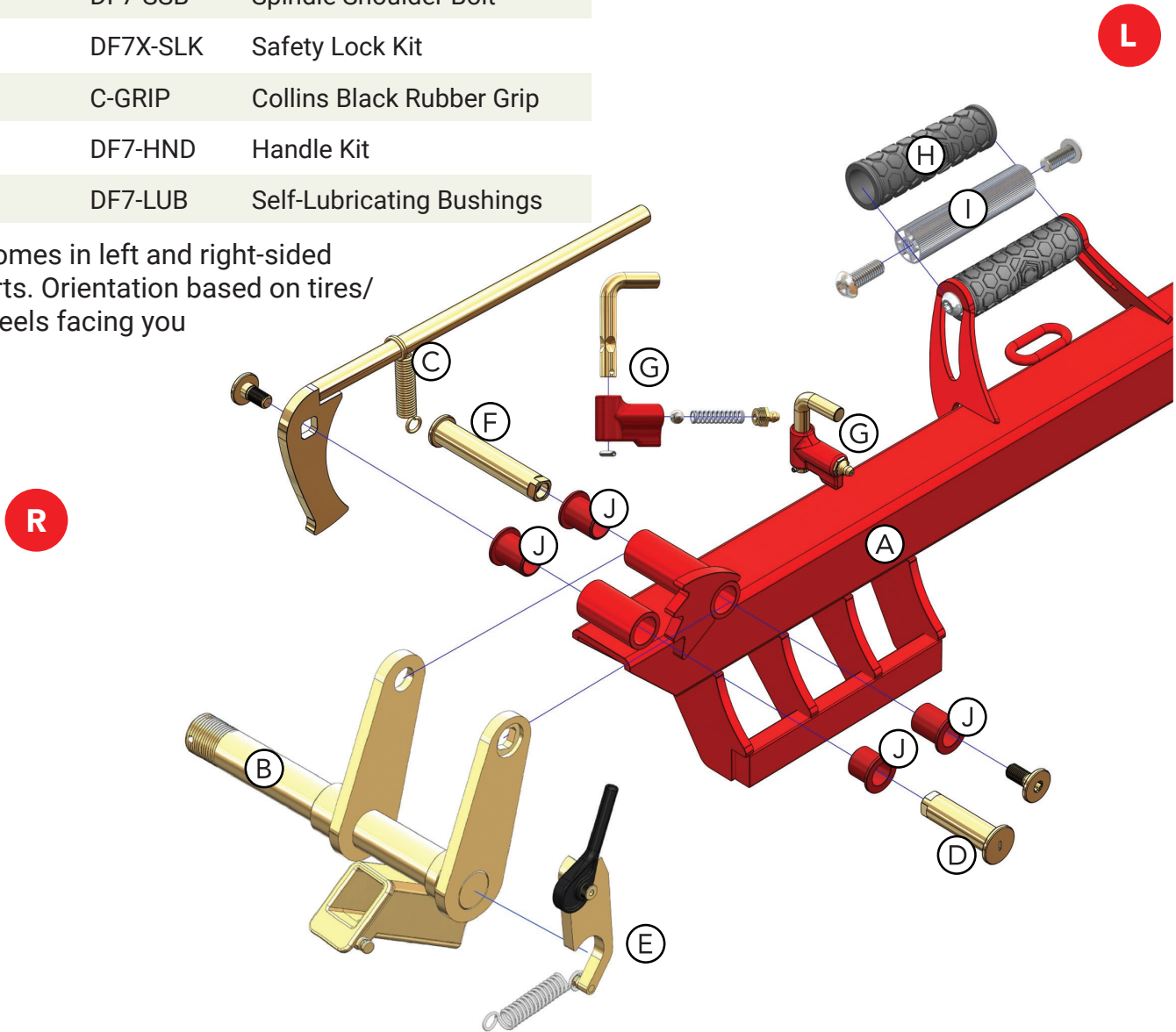
- » **MAXIMUM STRENGTH:** Durable steel hubs and eXtreme capacity steel wheels--the strongest available in the industry.
- » **MAXIMUM SPAN:** Only Collins' patented "True Positive Camber" T12 Hybrid Cross Rails with steel center-cambered inner components and adjustable aluminum outer components can eXtend to 104".
- » **MAXIMUM CAPACITY:** With aggressive, high-traction Load Range 'E' tires, an industry-leading 5,000 lbs capacity, and a 75 mph speed rating, the Collins G7X Super Dolly is perfect for on-road, off-road, and eXpressways, towing eXtreme distances in eXtreme weather.



G7X SUPER DOLLY PARTS

Item	Part#	Description
A	DF7X-SL	Dolly Frame Body Only, No Components
B*	DF7X-SA/L	Spindle Assembly LEFT
B*	DF7X-SA/R	Spindle Assembly RIGHT
C*	DF7X-TA/L	Trip-Lock Assembly LEFT
C*	DF7X-TA/R	Trip-Lock Assembly RIGHT
D	DF7-TSB	Trip Shoulder Bolt
E*	DF7X-RA/L	Ratchet Assembly LEFT
E*	DF7X-RA/R	Ratchet Assembly RIGHT
F	DF7-SSB	Spindle Shoulder Bolt
G	DF7X-SLK	Safety Lock Kit
H	C-GRIP	Collins Black Rubber Grip
I	DF7-HND	Handle Kit
J	DF7-LUB	Self-Lubricating Bushings

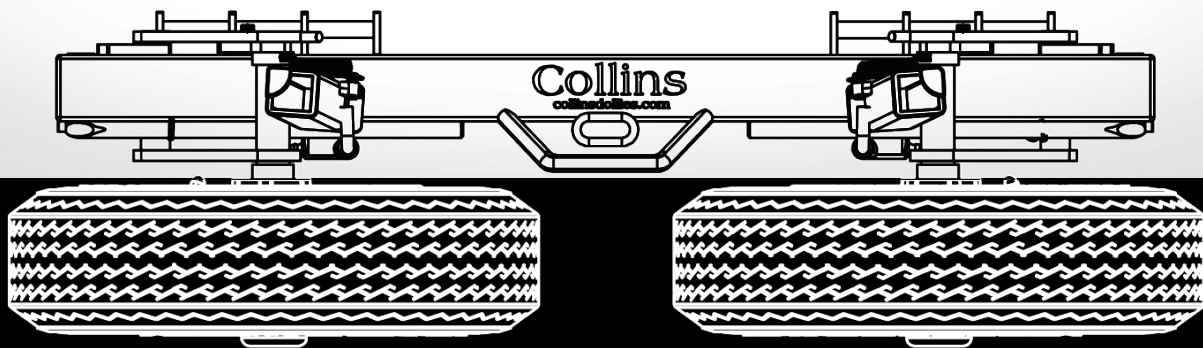
*Comes in left and right-sided parts. Orientation based on tires/wheels facing you





SLZ[®] Hi-Speed Dolly

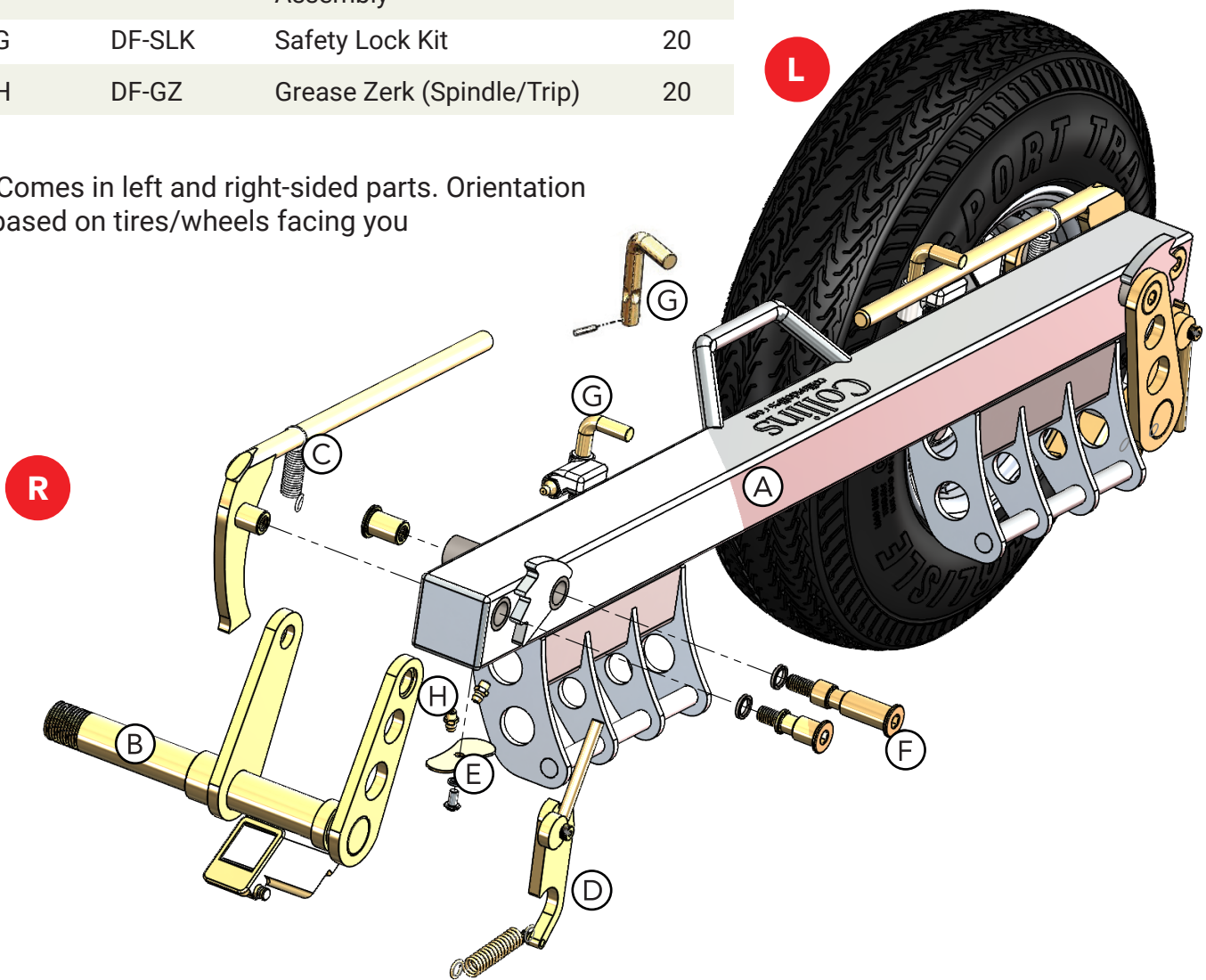
Collins Hi-Speed[®] Dollies are the Most Advanced[®] towing solution available due to their superior performance, adaptability, and safety features. With a high towing capacity and lightweight design for easy handling, they cater to various vehicle types, ensuring both operators and vehicles stay safe with an innovative Safety Ratchet System and True Positive Camber. The Collins Hi-Speed[®] Dolly is built with high-quality materials and expert workmanship providing efficiency, safety, and versatility for years of dependable service.



SLZ HI-SPEED® DOLLY PARTS

Item	Part	Description	Page
A	DFZ-SL	Dolly Frame Body Only, No Components	18
B*	DFZ-SA/L	Spindle Assembly LEFT	18
B*	DFZ-SA/R	Spindle Assembly RIGHT	18
C*	DFZ-TA/L	Trip-Lock Assembly LEFT	19
C*	DFZ-TA/R	Trip-Lock Assembly RIGHT	19
D*	DFZ-RA/L	Ratchet Assembly LEFT	19
D*	DFZ-RA/R	Ratchet Assembly RIGHT	19
E	DFZ-CPA	Cover Plate Assembly	21
F	DFZ-SSB	Spindle Shoulder Bolt Assembly	19
G	DF-SLK	Safety Lock Kit	20
H	DF-GZ	Grease Zerk (Spindle/Trip)	20

*Comes in left and right-sided parts. Orientation based on tires/wheels facing you



DFZ-SLHA

Dolly Frame Zinc - SLZ

Assembled with:

Hubs Aluminum: Greaseable

Qty: each

Weight - 32 lbs



DFZ-SL

Dolly Frame Zinc - SLZ

Self-Loading Dolly (body only)

Qty: each

Weight - 17.5 lbs



DFZ-SA/L

Spindle Assembly/Left -

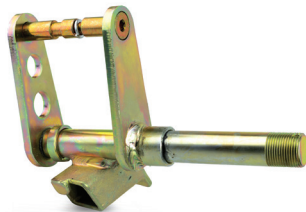
SLZ Dollies Zinc Plated

Includes Machined Shoulder Bolt Assembly

(Safety Ratchet not included)

Qty: each

Weight - 5 lbs 2 oz



DFZ-SA/R

Spindle Assembly/Right -

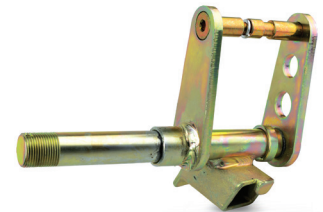
SLZ Dollies Zinc Plated

Includes Machined Shoulder Bolt Assembly

(Safety Ratchet not included)

Qty: each

Weight - 5 lbs 2 oz



Check out the
Tow Cradle and
Ball Joint Cradle
on Page 37 that go with the
Hi-Speed® Dollies!



DFZ-SSB

Spindle Shoulder Bolt Assembly - SLZ Dollies

Includes Splined-Sleeve Nut and Lock Washer (Zinc Plated)

Qty: each

Weight - 5 oz



DFZ-TSB

Trip Shoulder Bolt Assembly - SLZ Dollies

Includes Splined-Sleeve Nut and Lock Washer (Zinc Plated)

Qty: each

Weight - 2 oz



DFZ-RA/L

Ratchet Assembly/Left - SLZ Dollies

(New Style) 2006-Present (Zinc Plated)

Qty: each

Weight - 7.8 oz



DFZ-RA/R

Ratchet Assembly/Right - SLZ Dollies

(New Style) 2006-Present (Zinc Plated)

Qty: each

Weight - 7.8 oz



DFZ-TA/L

Trip-Lock Assembly/Left - SLZ Dollies

Includes: Shoulder Bolt, Sleeve Nut, and Spring

Qty: each

Weight - 1.5 lbs



DFZ-TA/R

Trip-Lock Assembly/Right - SLZ Dollies

Includes: Shoulder Bolt, Sleeve Nut, and Spring

Qty: each

Weight - 1.5 lbs



DF-PBA

Pry Bar - 1" Square Aluminum

Material: 6061- T6 Aircraft Grade Aluminum

Qty: each

Weight - 5.9 lbs



DF-PBA5

Pry Bar - 1" Square Aluminum w/ slight bend for use with dollies with 5.00 and 5.70 wheels

Material: 6061- T6 Aircraft Grade Aluminum

Qty: each

Weight - 5.9 lbs



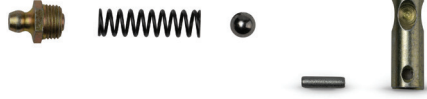
DF-SLK

Safety Lock Kit

Includes DF-SLZ, DF-SLS,
DF-SLB, DF-SLP, DF-SLH

Qty: each

Weight - 1.8 oz



DF-SLH

Safety Lock Handle

Qty: each

Weight - 1.4 oz



DF-SLB

Safety Lock Ball

Qty: each

Weight - 0.1 oz



DF-SLS

Safety Lock Spring

Qty: each

Weight - 0.1 oz



DF-SLP

Safety Lock Roll Pin

Qty: each

Weight - 0.1 oz



DF-SLZ

Safety Lock Grease Zerk

Qty: pack of 4

Weight - 0.1 oz



DF-GZ

Grease Zerk

Qty: pack of 4

Weight - 0.1 oz



Check collinsdollies.com
for the latest product
updates and news.

Legacy parts can be found on collinsdollies.com under the Legacy G5 (formerly SLX dolly) section.

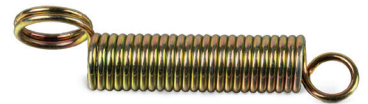
DFZ-TS/L

Trip Spring/Left
Qty: each
Weight - 0.6 oz



DFZ-TS/R

Trip Spring/Right
Qty: each
Weight - 0.6 oz



DFZ-CPA

Safety Cover Plate Assembly
Qty: pair
Weight - 0.14 oz



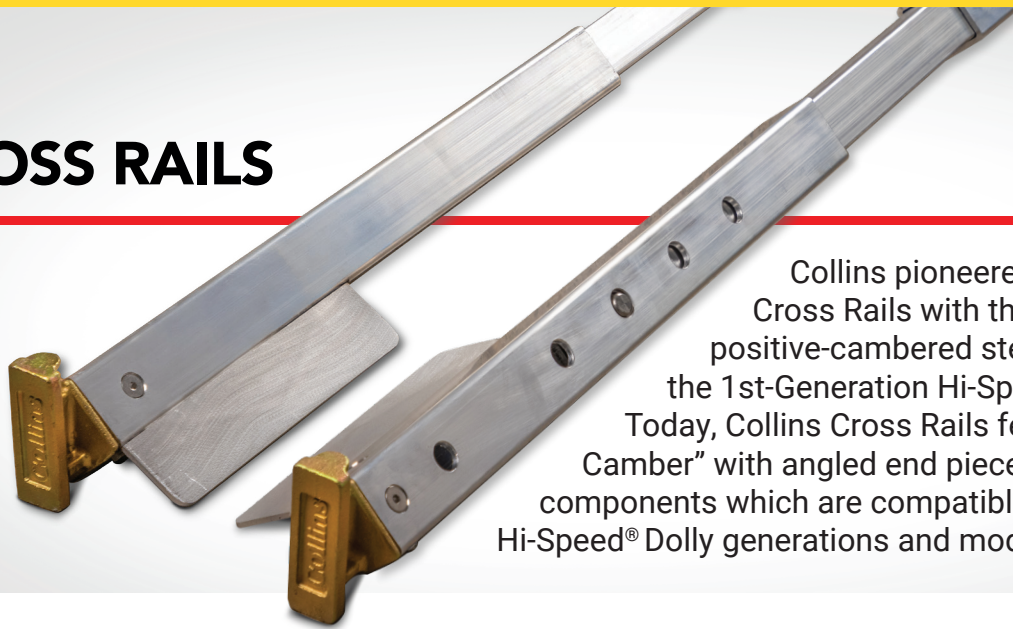
DF-TDS

Safety Tie-Down Straps
w/ Ratchet Buckles
Designed for Collins Hi-Speed® Dollies
Qty: pair
Weight - 2 lbs 11.6 oz



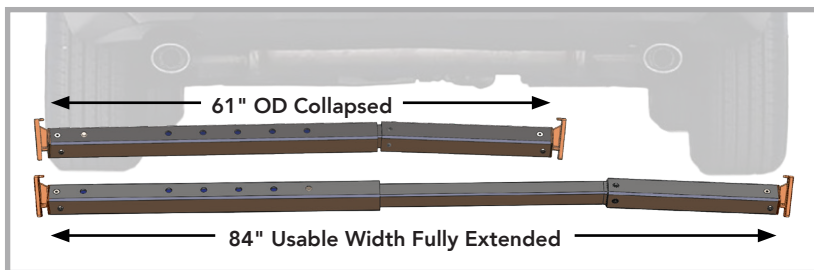
WHEN
SAFETY
MATTERS
Choose Collins

CROSS RAILS



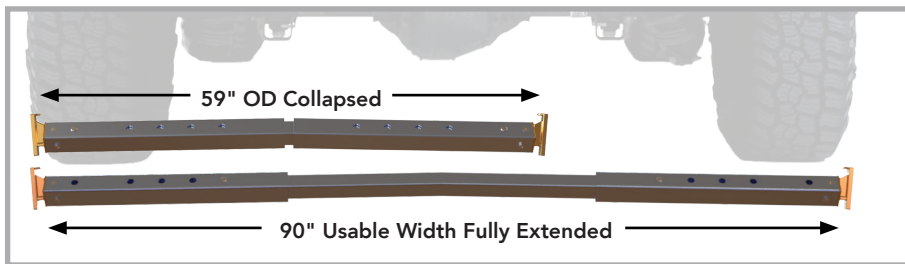
Collins pioneered the use of telescoping Cross Rails with the very first pair of positive-cambered steel rails, debuting with the 1st-Generation Hi-Speed® Dolly in 1975. Today, Collins Cross Rails feature “True Positive Camber” with angled end pieces and center-cambered components which are compatible with all Collins Hi-Speed® Dolly generations and models.

LENGTH COMPARISON



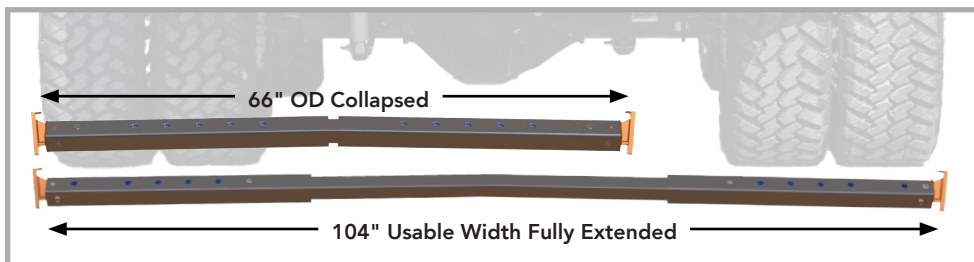
Collins T6 Cambered Cross Rails

Introduced in 1995, they changed dolly towing forever. Made with aircraft-grade aluminum and a true positive camber, they expand on one end and extend to 84" of usable width.



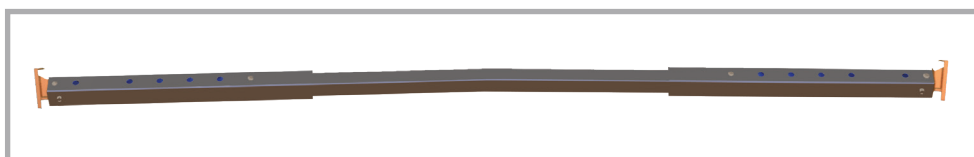
Collins T10 Center-Cambered Cross Rails

Introduced in 2022 with the 50th Anniversary Collins G7 Dolly, these double telescoping cross rails collapse shorter, but extend wider than the T6 with 90" of usable width. Like previous Collins Cross Rails, these feature a true positive camber - twice the camber of other dolly axles - one in the ends and one in the tubing material itself.



Collins T12 Center-Cambered Cross Rails

The T12 takes the patented design a step further with an exceptional 14" of additional length, extending to 104" of usable width. Very useful for accommodating wider vehicles, utility and boat trailers, and even dually trucks.

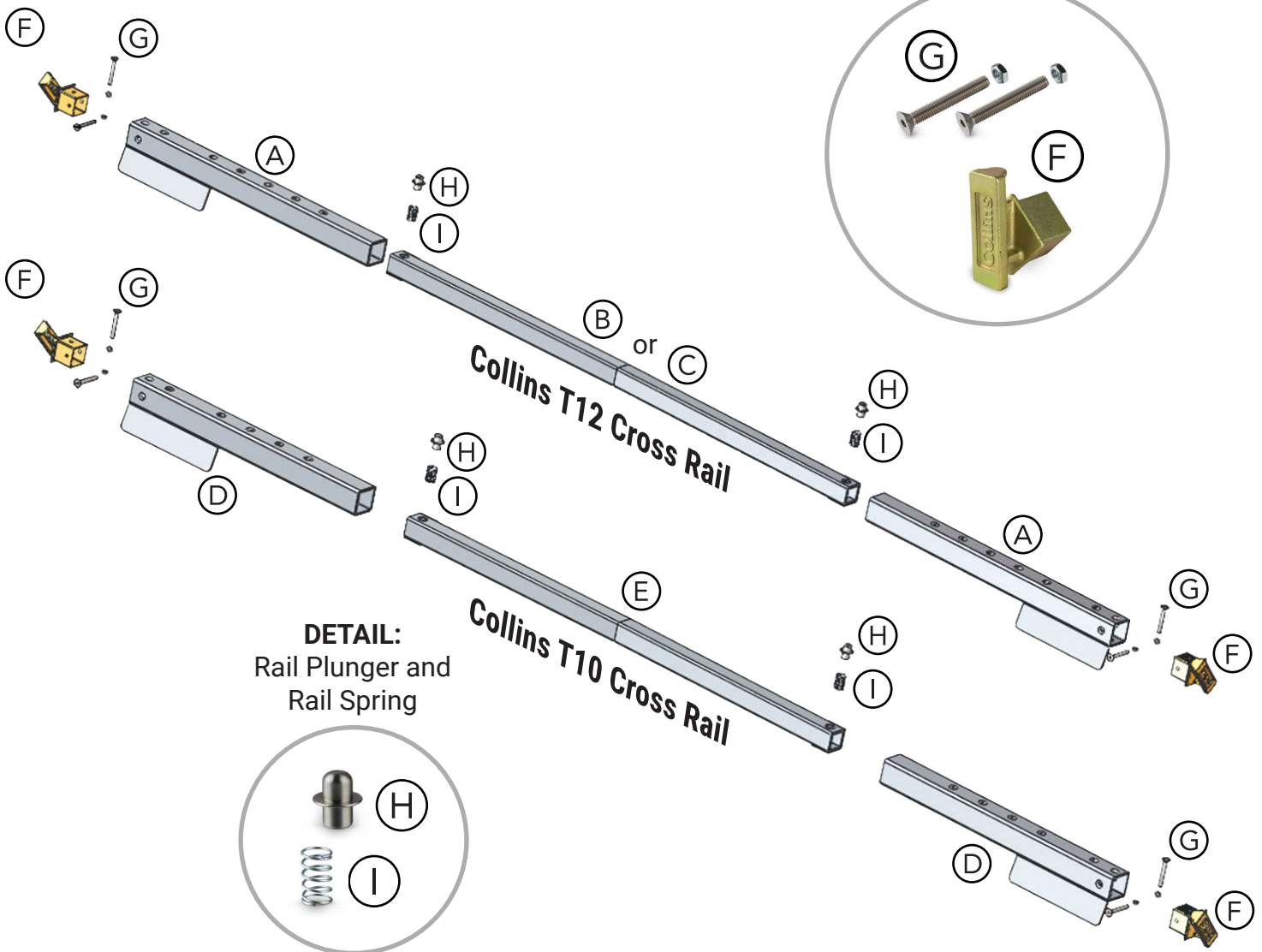


Collins T12 Center-Cambered Hybrid Cross Rails

Comes standard with the Collins G7X Dolly. With no tubular welds, included is a steel center making them even stronger—they're rated to 5,000 lb.

COLLINS CROSS RAILS PARTS

Item	Part	Description	Page
A	CR-FRA-T12	T12 Female Outer Axle	24
B	CR-MRS-T12	T12 Male Inner Axle Steel	24
C	CR-MRA-T12	T12 Male Inner Axle Aluminum	24
D	CR-FRA-T10	T10 Female Outer Axle	24
E	CR-MRA-T10	T10 Male Inner Axle Aluminum	24
F	CR-REA	Rail End (includes bolts)	25
G	CR-REB	Rail End Bolts	25
H	CR-RPX	Rail Plunger (button)	25
I	CR-RSX	Rail Spring	25
J	CR-REH	Cross Rail End Hanger <i>*not pictured</i>	25



CR-T12

Cross Rail - Telescopic, 12-Hole,
Outside Dimension collapsed: 66"

Inside Dimension extended: 104" Usable

Qty: each

5.63" x 4.75 x 66" fully collapsed

or 106.625" fully extended

Weight - 27 lbs



*Also available are the T12 Hybrid Cross Rails (CR-T12H), which come standard with the G7X Hi-Speed® Dolly. They feature a steel, center-cambered component that enhances strength and increases load capacity.

Weight - 37 lbs

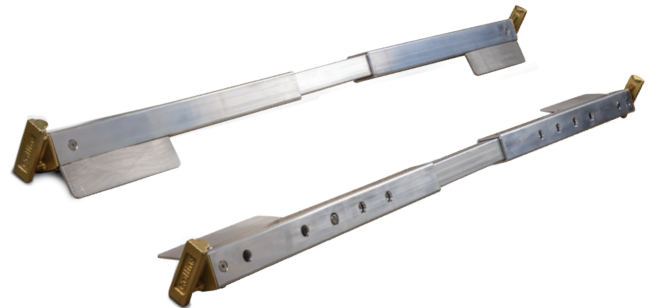
CR-T10

Cross Rail - Telescopic, 10-Hole,
Outside Dimension collapsed: 59"

Inside Dimension extended: 90" Usable

Qty: each

Weight - 24.5 lbs



Legacy cross rails can be found on collinsdollies.com.



Photo Credit Doug Medlyn

“ When the competition says they must have a flatbed.

I count on my equipment to perform and Collins Dollies have excelled at the challenge.

~Doug Medlyn ”

CR-RPX

Rail Plunger, Stainless Steel (X-New Style)

Reversible to a dome top or flat top

Qty: each

Weight - 2.9 oz



CR-RSX

Rail Spring (X-New Style Compression Spring)

Qty: each

Weight - 0.4 oz



CR-REH

Rail End Hanger

for storing Cross Rail Axles inside of a wrecker tunnel box (Collins or others).

Available with new dolly sets or retrofit to existing Cross Rails. (Collins TowArmor™ Powder Coated)

Qty: pair

Weight - 2.4 lbs



CR-REA

Rail End

Includes Plastic Inserts (Zinc Plated, One-piece Cast)

Qty: each

Weight - 2.4 lbs



*CR-RES, Rail End for Steel Cross Rails also available

CR-REB

Rail End Bolt & Lock Nut (Stainless Steel)

Qty: pair

Weight - 1.4 oz



CR-RP

Rail Plunger, Stainless Steel (CR-Old Style-Slotted)

Qty: each

Weight - 2.9 oz



CR-RS

Rail Spring (CR-Old Style - Flat Spring)

Qty: each

Weight - 1.0 oz



Check collinsdollies.com for the latest product updates and news.

WHEEL ASSEMBLY OPTIONS

Item	Description	Weight	Load Capacity
WA-4CA	Collins Hi-Speed® 4.80x8 load range "C" Tire on Collins Hi-Capacity Aluminum Wheel	10.5 lbs	760 lbs
WA-4CS	Collins Hi-Speed® 4.80x8 load range "C" Tire on Collins Hi-Capacity Steel Wheel	11 lbs	760 lbs
WA-4DA	Collins Hi-Speed® 4.80x8 load range "D" Tire on Collins Hi-Capacity Aluminum Wheel	11 lbs	992 lbs
WA-4DS	Collins Hi-Speed® 4.80x8 load range "D" Tire on Collins Hi-Capacity Steel Wheel	11.5 lbs	992 lbs
WA-5DA	Collins Hi-Speed® 5.70x8 load range "D" Tire on Collins Hi-Capacity Aluminum Wheel	14 lbs	1,070 lbs
WA-5DS	Collins Hi-Speed® 5.70x8 load range "D" Tire on Collins Hi-Capacity Steel Wheel	14.5 lbs	1,075 lbs
WA-5ES	Collins Hi-Speed® 5.00x8 load range "E" Tire on Collins Hi-Capacity Steel Wheel	14 lbs	1,250 lbs

WA-4DA

Collins Hi-Speed®
4.80 D Tire with
Collins Hi-Capacity
Aluminum Wheel



* White lettering added for emphasis in photo only

WA-4CS

Collins Hi-Speed®
4.80 C Tire with
Collins Hi-Capacity
Steel Wheel



WA-5DA

Collins Hi-Speed®
5.70 D Tire with
Collins Hi-Capacity
Aluminum Wheel



WA-5ES

Collins Hi-Speed®
5.00 E Tire with
Collins Hi-Capacity
Steel Wheel



Steel wheel color may vary.



WA-4TC

WA-4TD

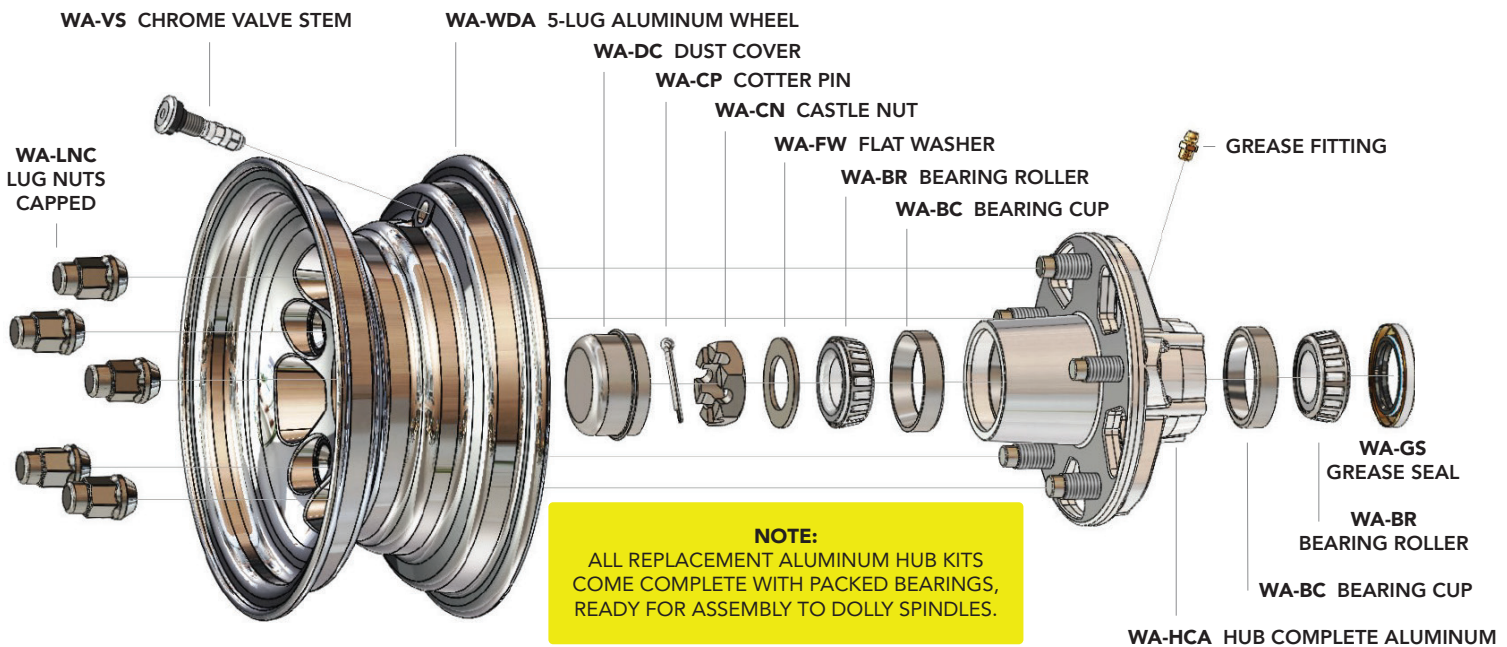
WA-5TD

WA-5TE

TIRE SPECIFICATIONS

Item	Description	Weight	Speed Rating	Capacity
WA-4TC	4.80x8 Load Range "C" Hi-Speed® Tire	6.8 lbs	65 MPH	760 lbs
WA-4TD	4.80x8 Load Range "D" Hi-Speed® Tire	7 lbs	65 MPH	992 lbs
WA-5TD	5.70x8 Load Range "D" Hi-Speed® Tire	11 lbs	65 MPH	1,075 lbs
WA-5TE	5.00x8 Load Range "E" Hi-Speed® Tire	8.5 lbs	75 MPH	1,250 lbs

*Tire capacity is just one limiting factor of overall dolly weight capacity; the wheel, the dolly, and the cross rails also affect the overall load capacity.



Check collinsdollies.com for the latest product updates and news.

WA-BK

Bearing Kit for Steel Hubs

- 1 - Dust Cover
 - 1 - Cotter Pin
 - 2 - Races
 - 2 - Bearings
 - 1 - Grease Seal
- Weight - 10.8 oz



WA-BK-A

Bearing Kit for Aluminum Hubs

- 1 - Dust Cover
 - 1 - Cotter Pin
 - 2 - Bearings
 - 1 - Grease Seal
- Weight - 8.4 oz



WA-WDA

8" Wheel, 5-Hole, Slotted, Diamond-Cut Finish, Aluminum

Qty: each
Weight - 4 lbs

Pat. No. 7,673,887



WA-WSB

8" Wheel, 5-Lug, Slotted Wheel Steel, Black

Qty: each
Weight - 4.5 lbs



WA-HCA

Hub Complete, Aluminum, 5-Lug, Slotted, Greaseable, Polished

Installed: Races, Packed Bearings, Grease Seal
Includes: Cotter Pin, Dust Cover

Qty: kit
Weight - 2.6 lbs



WA-HCS

Hub Complete, Steel, 5-Lug, Painted

Installed: Races, Packed Bearings, Grease Seal
Includes: Lug Nuts, Cotter Pin, Dust Cover

Qty: kit
Weight - 6.4 lbs



WA-LS

Lug Studs

Replacement Lug Studs for use with all Collins wheels.
Includes: enough for one wheel

Qty: pack of 5
Height - 1.75"
Weight - 1.64 oz each / 8.1 oz for set of 5



WA-VS

Valve Stems

Replacement Valve Stems for all Collins wheels.

Includes: Valve with core, Rubber Grommet, Retaining Sleeve Nut, Washer, Cap

Qty: pack of 4
Height - 1.625" top to bottom with cap on;
1.4375" without cap; 1.375" washer to the top with cap on (protruberance from wheel when installed)
Weight - 0.65 oz each / 2.6 oz for set of 4



Dolly Mounts



Self Loading Dolly Mount



DMP-SL-G2

DMZ-SL-G2

Dolly Mount - Self-Loading w/Tire Cradles (Articulating)

Qty: set
Weight - 52 lbs

Pat. No. 5,209,628



DMP-SL-G2 with Collins TowArmor™ Powder Coat finish pictured

SELF LOADING DOLLY MOUNTS SPECIFICATIONS

Item	Name	Description
DMP-SL-G2	Self Loading Dolly Mount Gen 2 (Powder)	Gen 2 utilizes CNC precision to improve fitment and function of the original Self-Loading Dolly Mount by Collins. New modular-style construction adds the ability to replace damaged components. Composite bearings added to all pivots to reduce the maintenance of the dolly mount. Updated aluminum tire cradles are adjustable for any dolly size.
DMZ-SL-G2	Self Loading Dolly Mount Gen 2 (Zinc)	

DMP-PM-G2

DMZ-PM-G2

Dolly Mount - Parallel Motion

(Articulating)

Qty: set

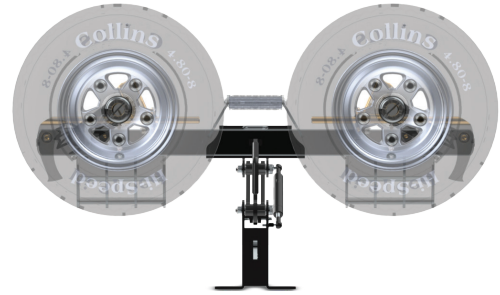
Weight - 26 lbs

Pat. No. 5,346,357



DMP-PM-G2 with Collins TowArmor™ Powder Coat finish pictured

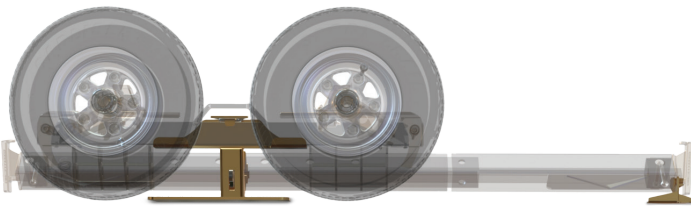
Parallel Motion Dolly Mount



PARALLEL MOTION DOLLY MOUNTS SPECIFICATIONS

Item	Name	Description
DMP-PM-G2	Parallel Motion Dolly Mount Gen 2 (Powder)	The parallel motion dolly mount stows the dolly in a secure location further on the truck. All while reducing the strain on the operator.
DMZ-PM-G2	Parallel Motion Dolly Mount Gen 2 (Zinc)	

Auto Locking Mount



DMP-AL4-JD

DMZ-AL4-JD

Dolly Mount

Combo 4.80 SLZ - Jerr-Dan

Qty: set

Weight - 27 lbs



DMP-AL4-JD with Collins TowArmor™ Powder Coat finish pictured

AUTO LOCKING DOLLY MOUNTS SPECIFICATIONS

Item	Name	Description
DMP-AL4-JD	Auto Locking Dolly Mount 4.80 (Powder)	Single Mount for Hi-Speed® Dolly Frame, Cross Rail Axle & Pry Bar. Low profile allows the dolly to rock into the dolly mount. Top hasp automatically locks when rotated into place. Includes lock ring for adding your own pad lock for added security. For use with 4.80 Dollies.
DMZ-AL4-JD	Auto Locking Dolly Mount 4.80 (Zinc)	
DMP-AL5-JD	Auto Locking Dolly Mount 5.00 / 5.70 (Powder)	Single Mount for Hi-Speed® Dolly Frame, Cross Rail Axle & Pry Bar. Low profile allows the dolly to rock into the dolly mount. Top hasp automatically locks when rotated into place. Includes lock ring for adding your own pad lock for added security. For use with 5.00 and 5.70 Dollies.
DMZ-AL5-JD	Auto Locking Dolly Mount 5.00 / 5.70 (Zinc)	

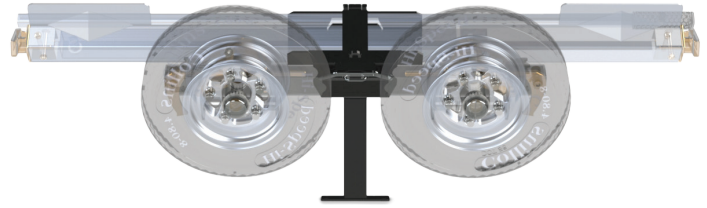
DMP-CDR-S / DMZ-CDR-S

Dolly Mount
(Collins TowArmor™
Powder Coated) -
Combination Dolly
Qty: set
Weight - 31.5 lbs



*DMP-CDR-S with Collins TowArmor™
Powder Coat finish pictured*

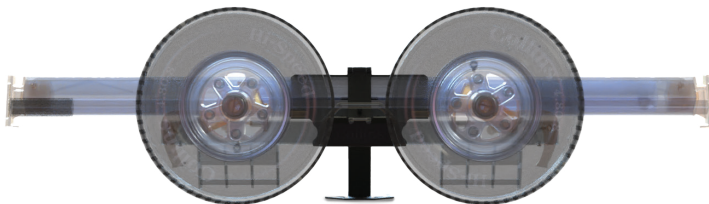
**Combo Mount
Slanted**



COMBO DOLLY MOUNTS - SLANTED SPECIFICATIONS

Item	Name	Description
DMP-CDR-S	Combo Dolly and Rail Mount- Slanted (Powder)	Single Mount for Hi-Speed® Dolly Frame, Cross Rail Axle & Pry Bar; Lockable for Secured Storage; Extra Height for clearing taller bed rails or other obstacles Single Cut & Bent Cradle; Hidden Welds for Seamless Look; Easy-Grab Slanted Dolly Stowage; Dri-Lube Bearing that's Self-Lubricating for Ease of Maintenance; Universal for 4.80 & 5.70 Tires.
DMZ-CDR-S	Combo Dolly and Rail Mount- Slanted (Zinc)	

**Combo Mount
Gen 2**



DMP-CG2-480 / DMZ-CG2-480

Dolly Mount
(Collins TowArmor™
Powder Coated) -
Combination Dolly
Qty: set
Weight - 33 lbs



*DMP-CG2-480 with Collins TowArmor™
Powder Coat finish pictured*

COMBO DOLLY MOUNTS GEN 2 SPECIFICATIONS

Item	Name	Description
DMP-CG2-480	Combo Dolly and Rail Mount Gen 2 - 4.80 (Powder)	Single Mount for Hi-Speed® Dolly Frame, Cross Rail Axle & Pry Bar; Lockable for Secured Storage; Extra Height for clearing taller bed rails or other obstacles; Single Cut & Bent Cradle; Hidden Welds for Seamless Look; Easy-Grab Slanted Dolly Stowage; Dri-Lube Bearing that's Self-Lubricating for Ease of Maintenance; Universal for 4.80, 5.00, and 5.70 Tires.
DMZ-CG2-480	Combo Dolly and Rail Mount Gen 2 - 4.80 (Zinc)	
DMP-CG2-570	Parallel Motion Dolly Mount Gen 2 - 5.70 (Powder)	
DMZ-CG2-570	Parallel Motion Dolly Mount Gen 2 - 5.70 (Zinc)	

DMP-CRL

DMZ-CRL

Dolly Mount -
 (Collins TowArmor™
 Powder Coated)
Cross Rail - Locking
Qty: set
 Weight - 5 lbs



*DMP-CRLS with Collins TowArmor™
 Powder Coat finish pictured*

Cross Rail Locking and Cross Rail Stepped Mounts

CROSS RAIL STEPPED DOLLY MOUNTS GEN 2 SPECIFICATIONS

Item	Name	Description
DMP-CRL	Dolly Mount - Cross Rail Locking (Powder)	Wrecker bed storage for Collins Dollies Cross Rail Axles; Lockable pair of mounts with thumb screw for securing both Cross Rail Axles and Pry Bar; CNC precision cut and formed construction; Mounting holes for ease of installation; Solid lubrication bushing that's self-lubricating for ease of maintenance; Multi-stage Collins TowArmor™ Powder Coat for enhanced durability with matte black, textured finish or metallic Zinc Plating for durability and good looks.
DMZ-CRL	Dolly Mount - Cross Rail Locking (Zinc)	
DMP-CRLS	Locking Rail Mount - Stepped (Powder)	
DMZ-CRLS	Locking Rail Mount - Stepped (Zinc)	

DMP-S5Z

DMZ-S5Z

Standing Mounts

Dolly Mount
 (5.0 or 5.7 - 6" tall)
Qty: pair
 Weight - 9.5 lbs

*Also available in zinc plating,
 tall, and slanted versions*



*"DMP-S5Z with Collins TowArmor™
 Powder Coat finish pictured*

STANDING DOLLY MOUNTS SPECIFICATIONS

Item	Name	Description
DMP-S4Z	Dolly Mount (Powder Coated) - Standing 4.80 - 5" tall	Collins Standing Dolly Mounts are the most popular and commonly used mounts for dollies. They are made with steel and then finished with Collins TowArmor™ Powder Coating in matte black textured finish or metallic Zinc Plating for durability and good looks. Standing mounts work universally for SLZ, G7, and G7X dollies and measure 5" tall for dollies with 4.80 sized tires or 6" for dollies with 5.0 or 5.70 sized tires. Standing dolly mounts are also available in slanted or tall versions (10" or 11") upon request.
DMZ-S4Z	Dolly Mount (Zinc Plated) - Standing 4.80 - 5" tall	
DMP-S5Z	Dolly Mount (Powder Coated) - Standing 5.0 or 5.70 - 6" tall	
DMZ-S5Z	Dolly Mount (Zinc Plated) - Standing 5.0 or 5.70 - 6" tall	

DOLLY BUNKS

Save space on your wrecker deck with underbody dolly storage. Single-piece, heavy duty aluminum construction adds strength and an easy install without measuring and fitting separate pieces; the original dolly bunk from JD Cross with Collins craftsmanship.



XR-DB4

Dolly Bunk for Dollies with 4.80 sized tires

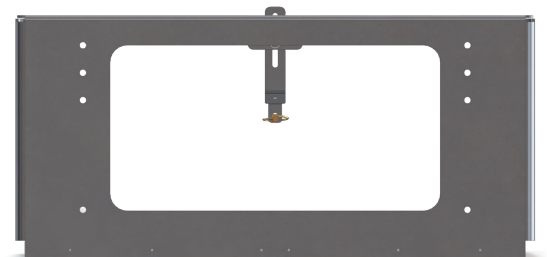
Qty: pair
Weight - 16 lbs each



XR-DB5

Dolly Bunk for Dollies with 5.70 or 5.0 sized tires

Qty: pair
Weight - 20.5 lbs each

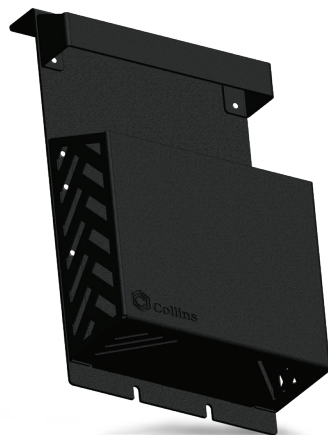


CHAIN BOX

Keep your chains organized and ready to use. Laser cut and precision formed steel box for hanging chains; Collins TowArmor™ Powder Coating for increased durability and good looks; built-in vertical mount for hanging on the back of the truck or with toolbox.

XR-CB

Chain Box
Qty: each
(Dimensions: 4.1" x 10" x 17")
Weight - 10.5 lbs

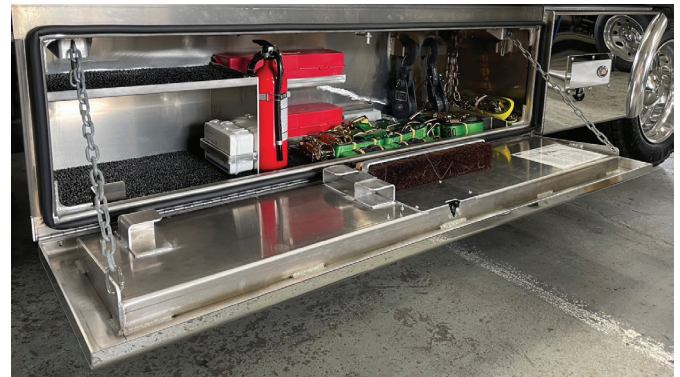


Check collinsdollies.com for the latest product updates and news.

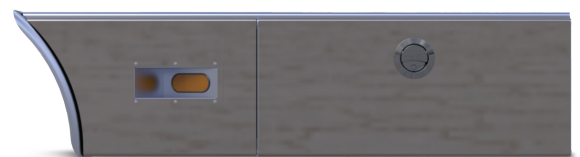
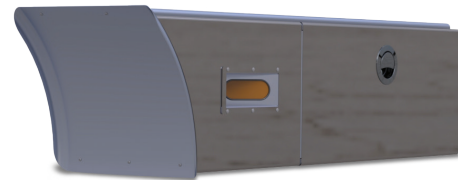
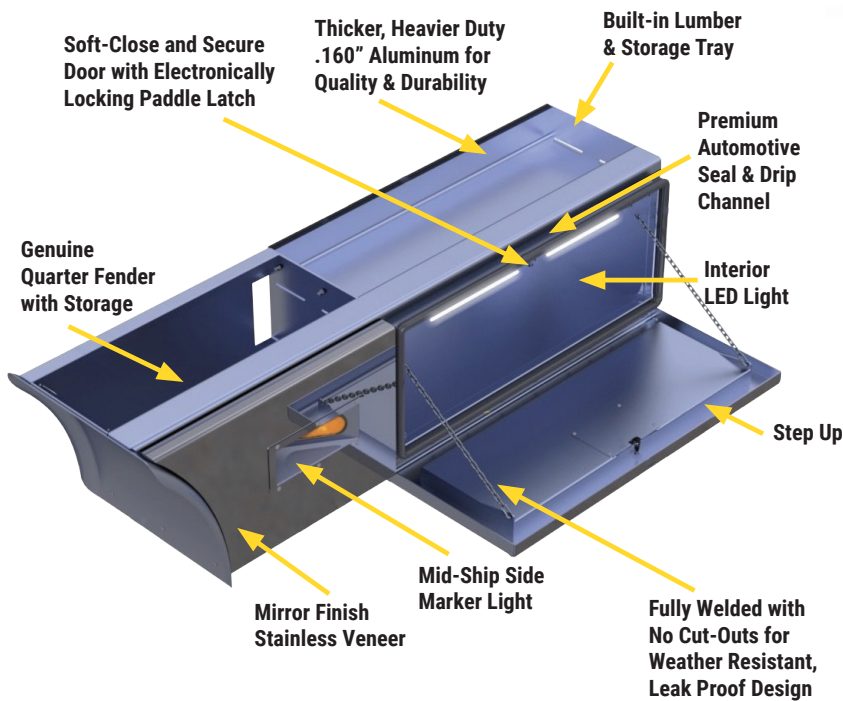
STREAMLINER BOXES

Streamliner

Collins Streamliner Boxes are premium underbody boxes with top-tier features and durability. They include a built-in top tray, thick aluminum construction, full welding, an auto-locking latch connected to the vehicles lock/unlock, pre-installed interior lighting, a fender light, a door that doubles as a step, and an integrated quarter fender.



Collins Streamliner Boxes are premium underbody boxes with top-tier features and durability.



All boxes are 22" high x 21.125" deep.
Boxes come in three length options: 48", 60", and 72".
The Quarterfender is 38" long on top and 28" long on bottom.

TUNNEL BOXES

All Collins Tunnel Boxes come standard with steel or aluminum construction, and weather-proof, flush-mounted doors. Optional polished aluminum diamond plate and stainless steel trims available.

Please contact Collins Sales for Tunnel Box options and pricing.



Tunnel Box with Drop-Down Compartment



Radius Top Optional



Tunnel Box with Drop-Down Dolly Compartment and Slide-Out Tray



Tunnel Box with 6" Step Down



Introducing the SAFE T-CAN

Does the T in Safe T-Can stand for extra safety in Traffic, assisting Towers, tackling Trash, super Tough and durable, useful Tool, or just reference the Tightly sealed lid? Yes, yes it does!



Pictured: Deck Mount

The Collins Safe T-Can takes a trash can to the next level. It won't rust, won't dent, and won't rattle. With the secure, seal-tight lid, you can keep liquids in or out (so dry items stay dry). The Hi-Vis reflective safety markers on the can improve visibility and safety while on the truck, carrying, or out on the road; making it double as a backup safety cone. It includes a secure, seal-tight screw on lid, with comfortable and ergonomic handle, and a 5 gallon, high-quality caution pail. Great for storage, garbage, and dry or liquid clean-up.

XR-STC

X CrossRoads - **Safe T-Can**
Qty: set of 1 can and 1 lid

Load / Capacity: 5 gal
 Dimensions: 13" x 13" x 18"



XR-CAN

X CrossRoads - **Can Only**
 (5 gallon bucket)
Qty: each



XR-LID

X CrossRoads - **Lid Only**
Qty: each



XR-STC-DM

X CrossRoads -
Safe T-Can
Deck Mount
 Brushed Aluminum finish
Qty: each



XR-STC-BM

X CrossRoads -
Safe T-Can
Bulk Head Mount
Qty: each



Add standard Collins TowArmor™ Powder Coat colors for \$5 or custom colors for \$10 (with minimum quantity of 10 mounts).





TOW CRADLES



*Does not include
Carrier Dolly shown*

TC-D

One pair Aluminum **Tow Cradles**

Adjustable to fit any dolly including Hi-Speed® and Carrier dollies. Tow Cradles allow you to transport vehicles without wheels.

Qty: pair

Pat. No. 8,337,135



TC-BJC

Tow Cradle - **Ball Joint Cradle**

The Ball Joint Cradle sits on top of the Tow Cradle and allows you to move vehicles with only a ball joint left.

Qty: pair



TC-KIT

The Tow Cradle Kit comes with one Aluminum Tow Cradle and one Ball Joint Cradle.

Qty: kit



Pat. No. 8,337,135

PUSH BUMPERS

Contact Collins at sales@collinsdollies.com for Push Bumper options and prices.

COLLINS WARRANTY & PRODUCT REGISTRATION

Thank you for choosing Collins to meet your towing needs.

As the industry leader and the Towers Choice™ for over 50 years, we believe Collins Dollies are the highest quality professional towing equipment on the market. Our customers enjoy easy, safe operations of our Hi-Speed® Dolly and Carrier Dolly systems to manage the most difficult towing challenges. We use high-quality materials to provide decades of durability while remaining lightweight for easy maneuverability, that's why when it matters, you choose Collins.

Standard Warranty

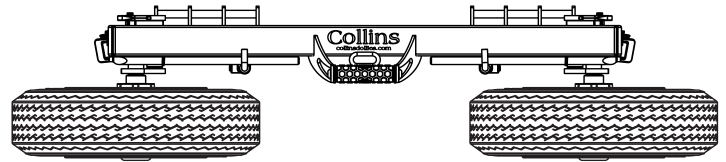
We back all of our Collins Dollies products with a **one-year limited warranty** covering defects in materials and workmanship.

Extended Warranty Available to First-User Purchasers with Product Registration

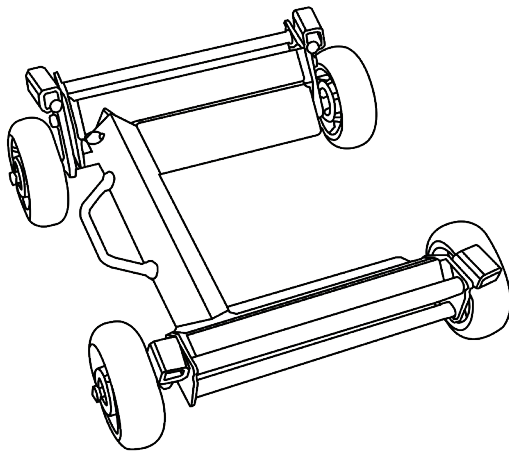
By registering your Collins product with us, we'll extend the limited warranty for a full second year—giving you a full 24 months of peace of mind. To activate the additional year of warranty coverage, scan the QR code below (or visit the website listed), and fill out the two minute registration form within 90 days of purchase.

*Additional 12 months of warranty coverage is only available to the first-user purchaser.

Hi-Speed® Dolly



COMPLETE AND SUBMIT YOUR FORM ONLINE:



CARRIER DOLLY



www.collinsdollies.com/productregistration

Collins

www.collinsdollies.com

301 Ehrman Way, Medford OR 97501

Toll Free: 1 (800) 332 - 9220

Office: 1 (541) 774 - 9220

Fax: 1 (541) 774 - 9222

Email: sales@collinsdollies.com

 [.com/collinsdollies](https://www.facebook.com/collinsdollies)

 [@collinsdollies](https://www.tiktok.com/@collinsdollies)