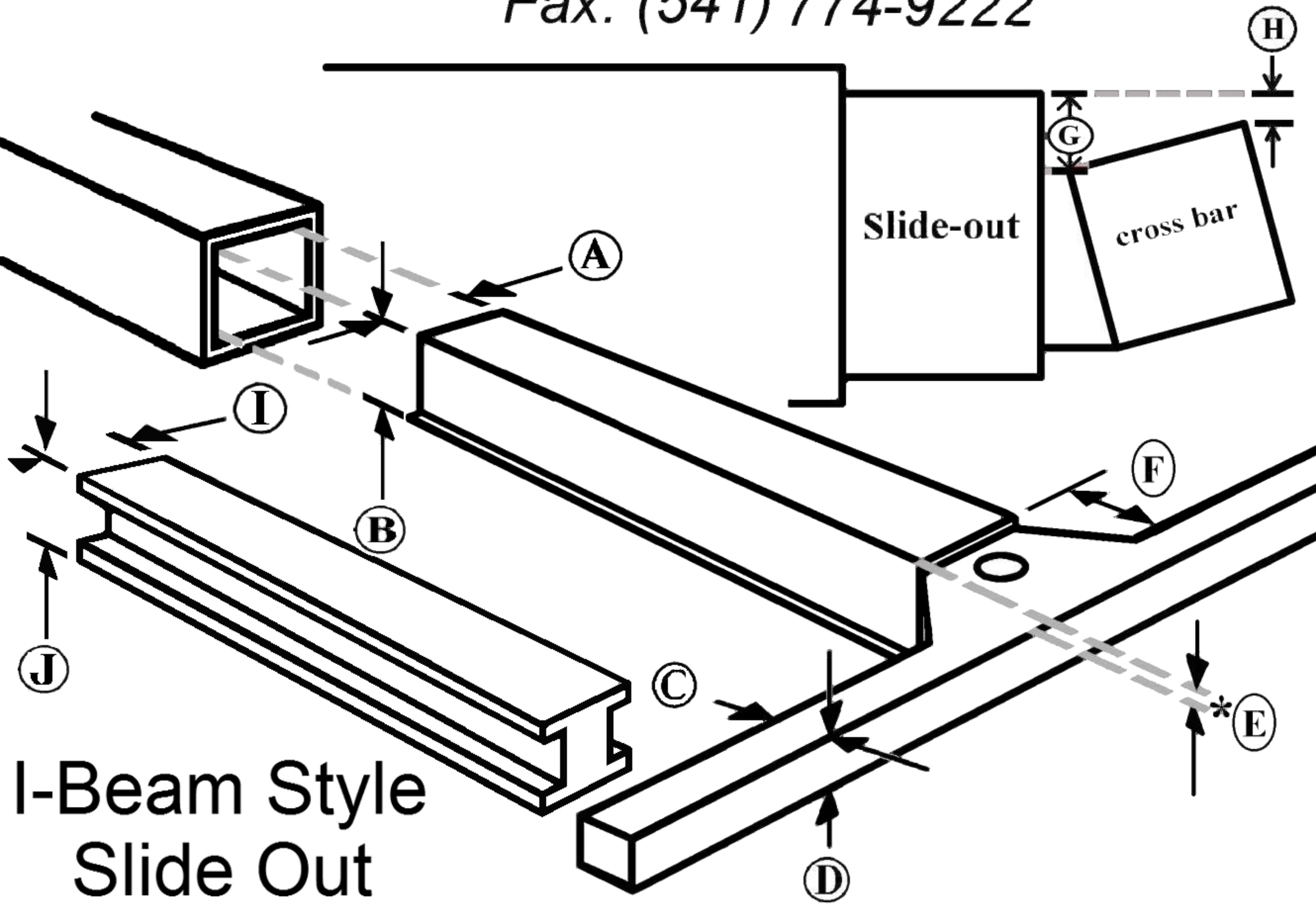


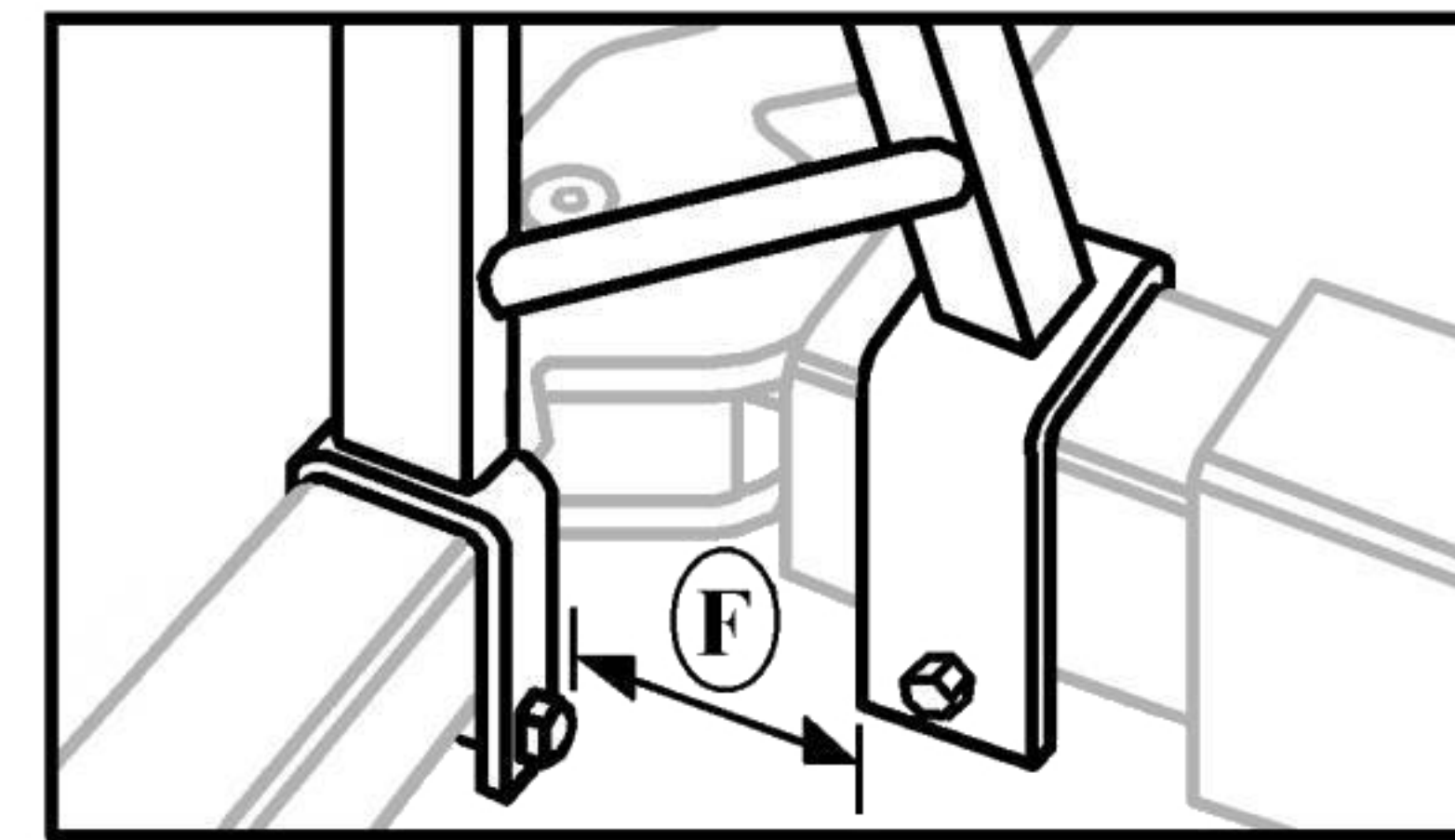
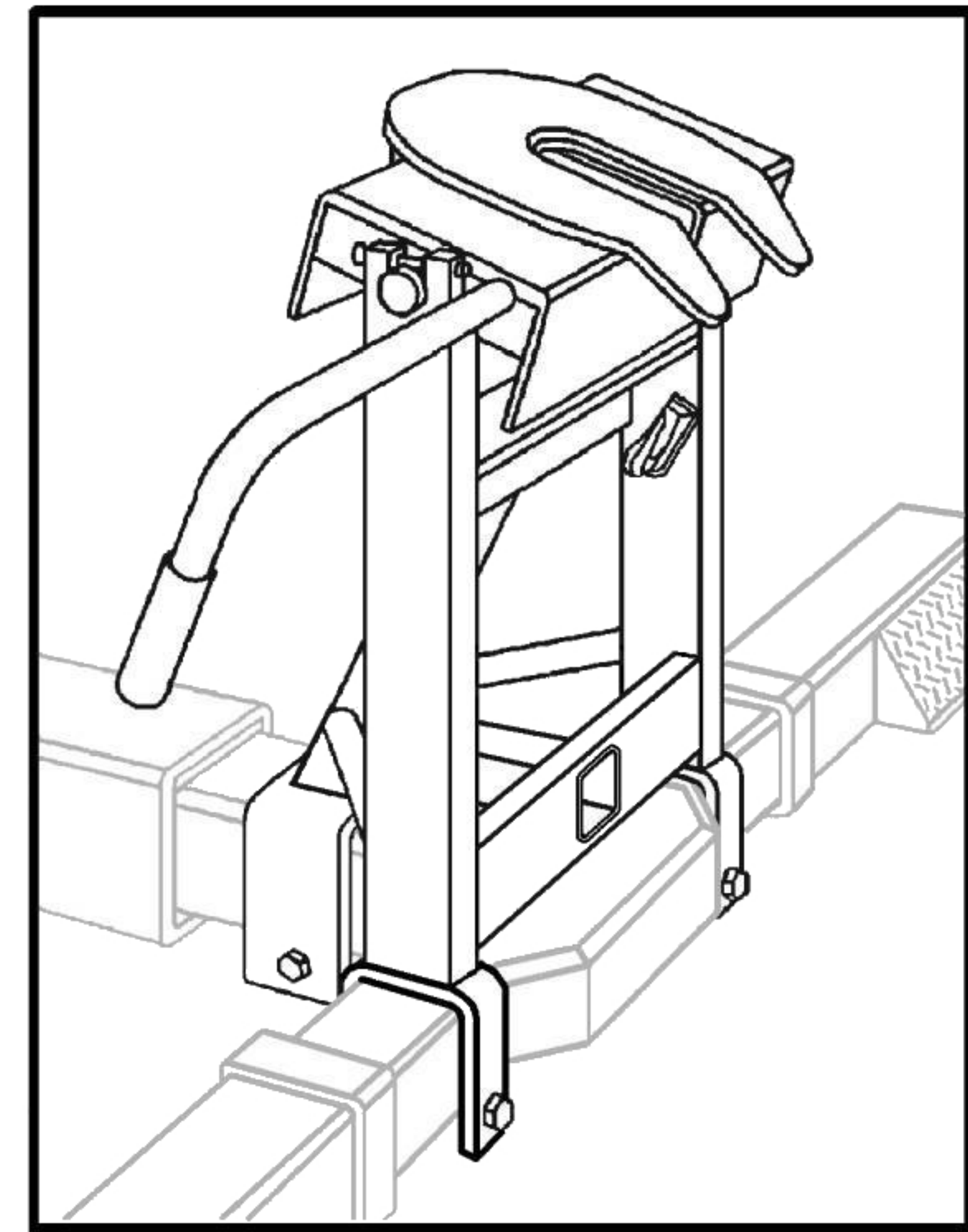
COLLINS

Wheel Lift Dimensions

Fax: (541) 774-9222



I-Beam Style
Slide Out



Date of Order _____
 Make/Model _____
 Reference # _____
 Customer P.O. # _____
 Quantity _____

A. _____ E. _____
 B. _____ F. _____
 C. _____ G. _____
 D. _____ H. _____

* (height difference between top of slide-out and top of cross bar)

I. _____
 J. _____